

Temposonics®

Magnetostrictive Linear Position Sensors

EH with Cable Output
Data Sheet Addition



The following technical specifications replace – respectively are an addition to – the data in document
EH Analog 551247, EH Start/Stop 551684, EH CANopen 551296 and EH SSI 551297

TECHNICAL DRAWING

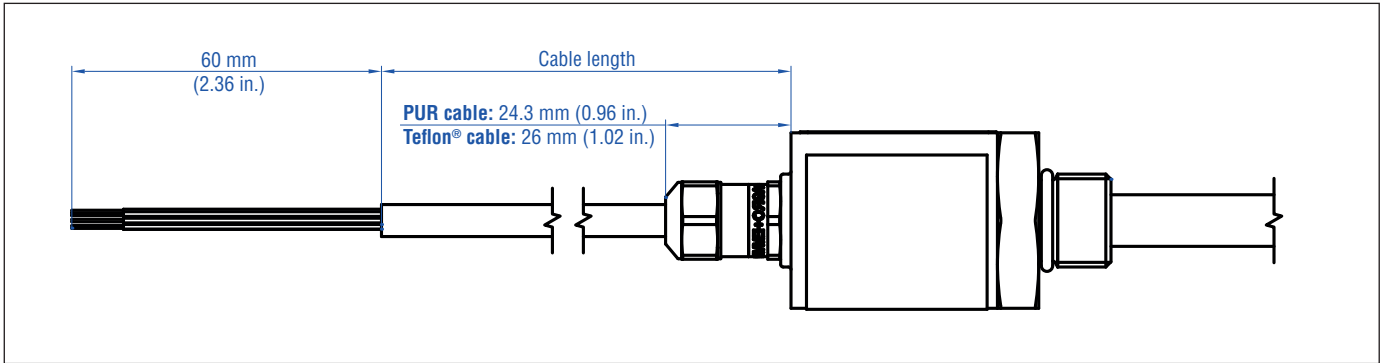


Fig. 1: EH Cable

CONNECTOR WIRING

Analog		
Signal + power supply		
Cable	Color	Function
	GY	Signal
	PK	GND (Signal)
	YE	2nd Signal
	GN	Not connected
	BN	+24 VDC
	WH	GND (power supply)

Fig. 2: Connector wiring for Analog output

Start/Stop		
Signal + power supply		
Cable	Color	Function
	GY	Stop (-)
	PK	Stop (+)
	YE	Start (+)
	GN	Start (-)
	BN	+24 VDC
	WH	GND (power supply)

Fig. 3: Connector wiring for Start/Stop output

CANopen		
Signal + power supply		
Cable	Color	Function
	GY	CAN_L
	PK	CAN_H
	YE	Not connected
	GN	Not connected
	BN	+24 VDC
	WH	GND (power supply)

Fig. 4: Connector wiring for CANopen output

SSI		
Signal + power supply		
Cable	Color	Function
	GY	Data (-)
	PK	Data (+)
	YE	Clock (+)
	GN	Clock (-)
	BN	+24 VDC
	WH	GND (power supply)

Fig. 5: Connector wiring for SSI output

ORDER CODE

1	2	3	4	5	6	7	8	9	10	11	12	13
E	H							E				Output
a		b	c					d	e	f		

a Sensor model

E H Rod version

b Performance

See EH data sheets Analog, Start/Stop, CANopen, SSI

c Stroke length

See EH data sheets Analog, Start/Stop, CANopen, SSI

d Connection type

E H 1 2 m (6.6 ft) PUR cable (part no.: 530 166),
3 × 2 × 0.14

E H 2 5 m (16.4 ft) PUR cable (part no.: 530 166),
3 × 2 × 0.14

E H 3 10 m (32.8 ft) PUR cable (part no.: 530 166),
3 × 2 × 0.14

E H 4 15 m (49.2 ft) PUR cable (part no.: 530 166),
3 × 2 × 0.14

E T 1 2 m (6.6 ft) Teflon® cable (part no.: 530 157),
3 × 2 × 0.14*

E T 2 5 m (16.4 ft) Teflon® cable (part no. 530 157),
3 × 2 × 0.14*

E T 3 10 m (32.8 ft) Teflon® cable (part no.: 530 157),
3 × 2 × 0.14*

E T 4 15 m (49.2 ft) Teflon® cable (part no.: 530 157),
3 × 2 × 0.14*

e Operating voltage

See EH data sheets Analog, Start/Stop, CANopen, SSI

f Output

See EH data sheets Analog, Start/Stop, CANopen, SSI

**Manuals, Software & 3D Models available at:
www.mtssensors.com**

*Available on request

UNITED STATES 3001 Sheldon Drive
MTS Systems Corporation Cary, N.C. 27513
Sensors Division Phone: +1 919 677-0100
Americas & APAC Region E-mail: info.us@mtssensors.com

GERMANY Auf dem Schüffel 9
MTS Sensor Technologie 58513 Lüdenscheid
GmbH & Co. KG Phone: +49 2351 9587-0
EMEA Region & India E-mail: info.de@mtssensors.com

ITALY Phone: +39 030 988 3819
Branch Office E-mail: info.it@mtssensors.com

FRANCE Phone: +33 1 58 4390-28
Branch Office E-mail: info.fr@mtssensors.com

UK Phone: +44 79 44 15 03 00
Branch Office E-mail: info.uk@mtssensors.com

SCANDINAVIA Phone: +46 70 29 91 281
Branch Office E-mail: info.sca@mtssensors.com

CHINA Phone: +86 21 2415 1000 / 2415 1001
Branch Office E-mail: info.cn@mtssensors.com

JAPAN Phone: +81 3 6416 1063
Branch Office E-mail: info.jp@mtssensors.com

www.mtssensors.com

Document Part Number:
551660 Revision B (EN) 09/2020

