

## Data Sheet Addition

# **E-Series – EH with Cable Output** Magnetostrictive Linear Position Sensors



The following technical specifications replace – respectively are an addition to – the data in document  
*EH Analog 551247, EH Start/Stop 551684, EH CANopen 551296 and EH SSI 551297*

## TECHNICAL DRAWING

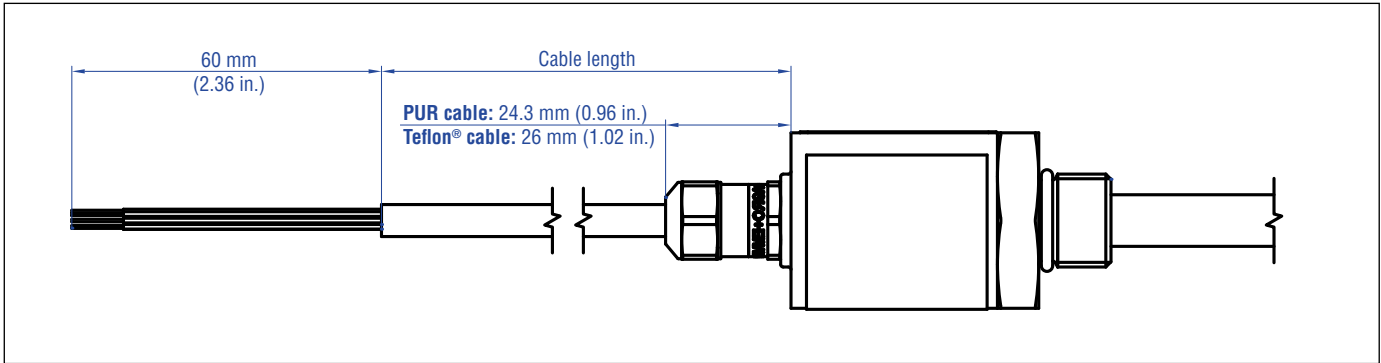


Fig. 1: EH Cable

## CONNECTOR WIRING

Analog		
Signal + power supply		
Cable	Color	Function
	GY	Signal
	PK	GND (Signal)
	YE	2nd Signal
	GN	Not connected
	BN	+24 VDC
	WH	GND (power supply)

Fig. 2: Connector wiring for Analog output

Start/Stop		
Signal + power supply		
Cable	Color	Function
	GY	Stop (-)
	PK	Stop (+)
	YE	Start (+)
	GN	Start (-)
	BN	+24 VDC
	WH	GND (power supply)

Fig. 3: Connector wiring for Start/Stop output

CANopen		
Signal + power supply		
Cable	Color	Function
	GY	CAN_L
	PK	CAN_H
	YE	Not connected
	GN	Not connected
	BN	+24 VDC
	WH	GND (power supply)

Fig. 4: Connector wiring for CANopen output

SSI		
Signal + power supply		
Cable	Color	Function
	GY	Data (-)
	PK	Data (+)
	YE	Clock (+)
	GN	Clock (-)
	BN	+24 VDC
	WH	GND (power supply)

Fig. 5: Connector wiring for SSI output

## ORDER CODE

1	2	3	4	5	6	7	8	9	10	11	12	13
E	H							E				Output
a		b	c					d	e	f		

<b>a</b>	<b>Sensor model</b>	
E	H	Rod version

<b>b</b>	<b>Performance</b>
See EH data sheets Analog, Start/Stop, CANopen, SSI	

<b>c</b>	<b>Stroke length</b>
See EH data sheets Analog, Start/Stop, CANopen, SSI	

<b>d</b>	<b>Connection type</b>		
E	H	1	2 m (6.6 ft) PUR cable (part no.: 530 166), 3 × 2 × 0.14
E	H	2	5 m (16.4 ft) PUR cable (part no.: 530 166), 3 × 2 × 0.14
E	H	3	10 m (32.8 ft) PUR cable (part no.: 530 166), 3 × 2 × 0.14
E	H	4	15 m (49.2 ft) PUR cable (part no.: 530 166), 3 × 2 × 0.14*
E	T	1	2 m (6.6 ft) FEP cable (part no.: 530 157), 3 × 2 × 0.14*
E	T	2	5 m (16.4 ft) FEP cable (part no. 530 157), 3 × 2 × 0.14*
E	T	3	10 m (32.8 ft) FEP cable (part no.: 530 157), 3 × 2 × 0.14*

<b>e</b>	<b>Operating voltage</b>
See EH data sheets Analog, Start/Stop, CANopen, SSI	

<b>f</b>	<b>Output</b>
See EH data sheets Analog, Start/Stop, CANopen, SSI	

Manuals, Software & 3D Models available at:  
[www.temposonics.com](http://www.temposonics.com)

\*Available on request. Minimum quantity 25 pieces.



# Temposonics

AN AMPHENOL COMPANY

---

**UNITED STATES** 3001 Sheldon Drive  
**Temposonics, LLC** Cary, N.C. 27513  
Americas & APAC Region Phone: +1 919 677-0100  
E-mail: info.us@temposonics.com

---

**GERMANY** Auf dem Schüffel 9  
**Temposonics** 58513 Lüdenscheid  
**GmbH & Co. KG** Phone: +49 2351 9587-0  
EMEA Region & India E-mail: info.de@temposonics.com

---

**ITALY** Phone: +39 030 988 3819  
Branch Office E-mail: info.it@temposonics.com

---

**FRANCE** Phone: +33 6 14 060 728  
Branch Office E-mail: info.fr@temposonics.com

---

**UK** Phone: +44 79 21 83 05 86  
Branch Office E-mail: info.uk@temposonics.com

---

**SCANDINAVIA** Phone: +46 70 29 91 281  
Branch Office E-mail: info.sca@temposonics.com

---

**CHINA** Phone: +86 21 2415 1000 / 2415 1001  
Branch Office E-mail: info.cn@temposonics.com

---

**JAPAN** Phone: +81 3 6416 1063  
Branch Office E-mail: info.jp@temposonics.com

---

**Document Part Number:**  
551660 Revision C (EN) 02/2022



**temposonics.com**