

Level Plus®

Magnetostrictive Liquid-Level Sensors
with Temposonics® Technology



LCD Modbus Terminal Modbus RTU Input Product Specification

Document Part Number
551163 Revision A

Features

- RS -485, Modbus RTU Input
- NEMA 4X rated enclosure and Display
- UV rated Overlay for Outdoor use
- Numerical Display
- Calibrate transmitter From Display
- Hazardous area approved 115 VAC Input Power
- 24 VDC transmitter and terminal Power supply
- Options:
 - Elays (6 per module)
 - 4 to 20 ma Outputs (4 per module)

APPLICATIONS

- Field Indication
- Controller

MARKETS

- Petroleum and Petrochemical
- LPG terminals
- Water and Wastewater

Product Overview

The LCD Modbus Terminal is a fully programmed remote terminal that can be placed in the field or in a control room. The Terminal accepts Modbus RTU, displays tank information, and can output Modbus RTU to a plant wide system (PLC, DCS, SCADA).

The Terminal features calibration ability, audible alarms and visual diagnostics. Relays and 4 to 20 mA output signals are optional for each Terminal.

The LCD Modbus Terminal can display up to 8 tanks showing product level, interface level, and temperature. If the user would like to also display volume information, up to 4 tanks can be shown.

The LCD Modbus Terminal includes a NEMA 4X rated enclosure. The front overlay for the Terminal is designed for outdoor use with a UV rated material. The front panel of the display also has a NEMA 4X rating.



Level Plus® LCD Modbus terminal
(part number 280494-X)



All specifications are subject to change. Contact Temposonics for specifications and engineering drawings that are critical to your application. Drawings contained in this document are for reference only. Go to <https://www.temposonics.com> for the latest support documentation and related media.

Product specifications / agency approvals

Product specifications

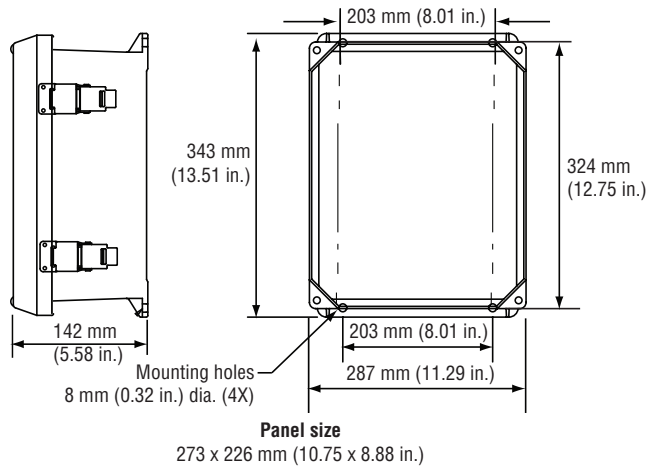
Parameters	specifications
INPUT	
Modbus RTU :	RS-485 port
OUTPUT	
Modbus RTU :	1 RS-485 port 1 Ethernet Port
Optional Outputs:	Relays (6 per module) 4 to 20 mA outputs (4 per module)
ELECTRONICS	
Input voltage:	115 Vdc ±10%
Transmitter supply:	24 Vdc ±20% supply
Display:	Decimal format 3.2 inch, 128 x 64 PPI LCD with yellow LED backlight
ENVIRONMENTAL	
Enclosure rating:	NEMA 4X
Front panel:	NEMA 4X (Front panel overlay - UV rated)
Humidity:	0 to 80% relative humidity, non condensing
Operating temperatures:	electronics: 0 °C (32 °F) to 50 °C (122 °F) storage temperature: -30 °C (-22 °F) to 70 °C (158 °F)
Altitude:	2000 meters
FIELD INSTALLATION	
Enclosure mounting hole dimensions:	Height: 324 mm (12.75 in.) Width: 203 mm (8.01 in.)
Enclosure dimensions	Height: 343 mm (13.51 in.) Width: 207 mm (11.29 in.) Depth: 142 mm (5.58 in.)

Agency Approvals

Parameters	specifications
Hazardous Approvals:	Class I, Division 2, Groups A, B, C, and D Class II, Division 2, Groups F and G Class III, Division 2 ♦ Approvals are obtained by original manufacturers for individual components. MTS does not maintain any approval for the Modbus terminal final assembly.

Level Plus M-series LCD Modbus terminal Dimension references

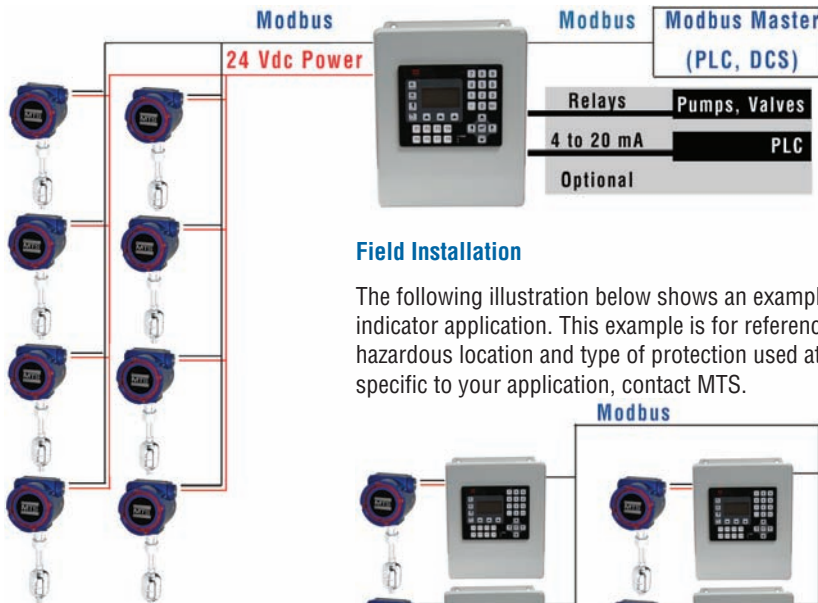
The following drawing is for reference only.



Installation examples

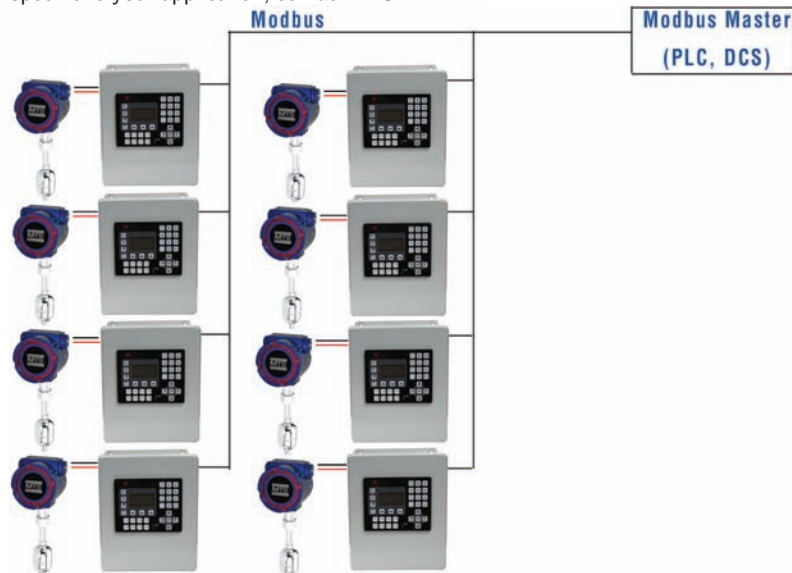
Control room Installation

The following illustration shows an example of the Touchscreen Modbus Terminal used as a controller in a plant-wide automation application. The following illustration shows an example of the Touchscreen Modbus Terminal used as a controller in a plant-wide automation application. This example is for reference only. Actual configurations are dependent on the hazardous location and type of protection used at a Modbus terminal installation site. For information specific to your application, contact Temposonics.




Field Installation

The following illustration below shows an example of the LCD Modbus Terminal used as a remote field indicator application. This example is for reference only. Actual configurations are dependent on the hazardous location and type of protection used at a Modbus terminal installation site. For information specific to your application, contact MTS.



Ordering information

LCD MODBUS TERMINAL		Part Number
	<p>The LCD Modbus terminal includes: NEMA 4X Rated enclosure 24 Vdc Transmitter power supply Custom programming</p>	280494-X
Relays		Part Number
	Optional, 6 per module	380101
4 TO 20 MA OUTPUTS		Part Number
	Optional, 4 per module	380100

Document Part Number
551163 Revision A (EN) 12/2022

ISO 9001
CERTIFIED

temposonics.com

UNITED STATES

Temposonics, LLC
Phone: +1 919 677-0100
E-Mail: info.us@temposonics.com

GERMANY

Temposonics GmbH & Co. KG
Phone: +49 2351 9587-0
E-Mail: info.de@temposonics.com

ITALY

Branch Office
Phone: +39 030 988 3819
E-Mail: info.it@temposonics.com

FRANCE

Branch Office
Phone: +33 614 060 728
E-Mail: info.fr@temposonics.com

UK

Branch Office
Phone: +44 79 44 15 03 00
E-Mail: info.uk@temposonics.com

SCANDINAVIA

Branch Office
Phone: +46 70 29 91 281
E-mail: info.sca@temposonics.com

CHINA

Branch Office
Phone: +86 21 2415 1000 / 2415 1001
E-Mail: info.cn@temposonics.com

JAPAN

Branch Office
Phone: +81 3 6416 1063
E-Mail: info.jp@temposonics.com