

Product Brief

MH-Series Flexible MH

Magnetostrictive Linear Position Sensors

PREMIERE
Agritechnica
2023



SIL2

DEKRA Certificate Number ZP/C010/23

Overview

- ▶ NEW: SIL2 Capable
- ▶ Linear, absolute measurement
- ▶ Easy in-field installation and replacement
- ▶ Stroke lengths from 500...10,500 mm
- ▶ CANbus and CANbus Safety (SIL2) output

Typical Applications

- ▶ Aerial work platforms
- ▶ Man-lifts
- ▶ Emergency vehicles
- ▶ Cranes



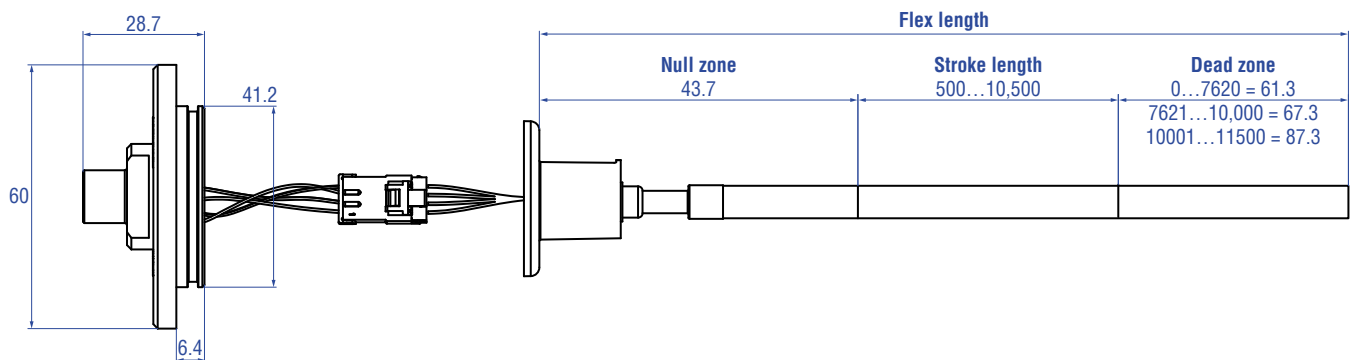
Features

Measured value	Position
Output	CANopen, CANopen Safety (SIL2), J1939, and J1939-76 (SIL2)
Linearity	± 0.1 mm or $\pm 0.04\%$ (F.S.) (whichever is greater)
Repeatability	$\pm 0.005\%$ (F.S.)
Operating Temperature	$-40 \dots +105$ °C
Stroke length	500...10,500 mm (500...5,000 mm with optional pipe)
Connection type	M12 connector (IP69K with mating M12 connector)
Operating voltage	12 / 24 VDC (8...32 VDC)

Safety Output Options

The CANopen Safety and J1939-76 outputs can be used in applications up to SIL2 and Performance Level d for the safety function "Measurement of position & velocity." The Flexible MH has been certified according to IEC 61508:2010 and ISO 13849-1:2015. For further details around the safety function of this product please consult the safety manual (552177).

Sensor dimension references



Controlling design dimensions are in millimeters

Document Part Number:

551586 Revision C (EN) 11/2023

temposonics.com

UNITED STATES

Temposonics, LLC
Phone: +1 919 677-0100
E-Mail: info.us@temposonics.com

GERMANY

Temposonics GmbH & Co. KG
Phone: +49 2351 9587-0
E-Mail: info.de@temposonics.com

ITALY

Branch Office
Phone: +39 030 988 3819
E-Mail: info.it@temposonics.com

FRANCE

Branch Office
Phone: +33 614 060 728
E-Mail: info.fr@temposonics.com

UK

Branch Office
Phone: +44 79 21 83 05 86
E-Mail: info.uk@temposonics.com

SCANDINAVIA

Branch Office
Phone: +46 70 29 91 281
E-mail: info.sca@temposonics.com

CHINA

Branch Office
Phone: +86 21 3405 7850
E-Mail: info.cn@temposonics.com

JAPAN

Branch Office
Phone: +81 3 6416 1063
E-Mail: info.jp@temposonics.com