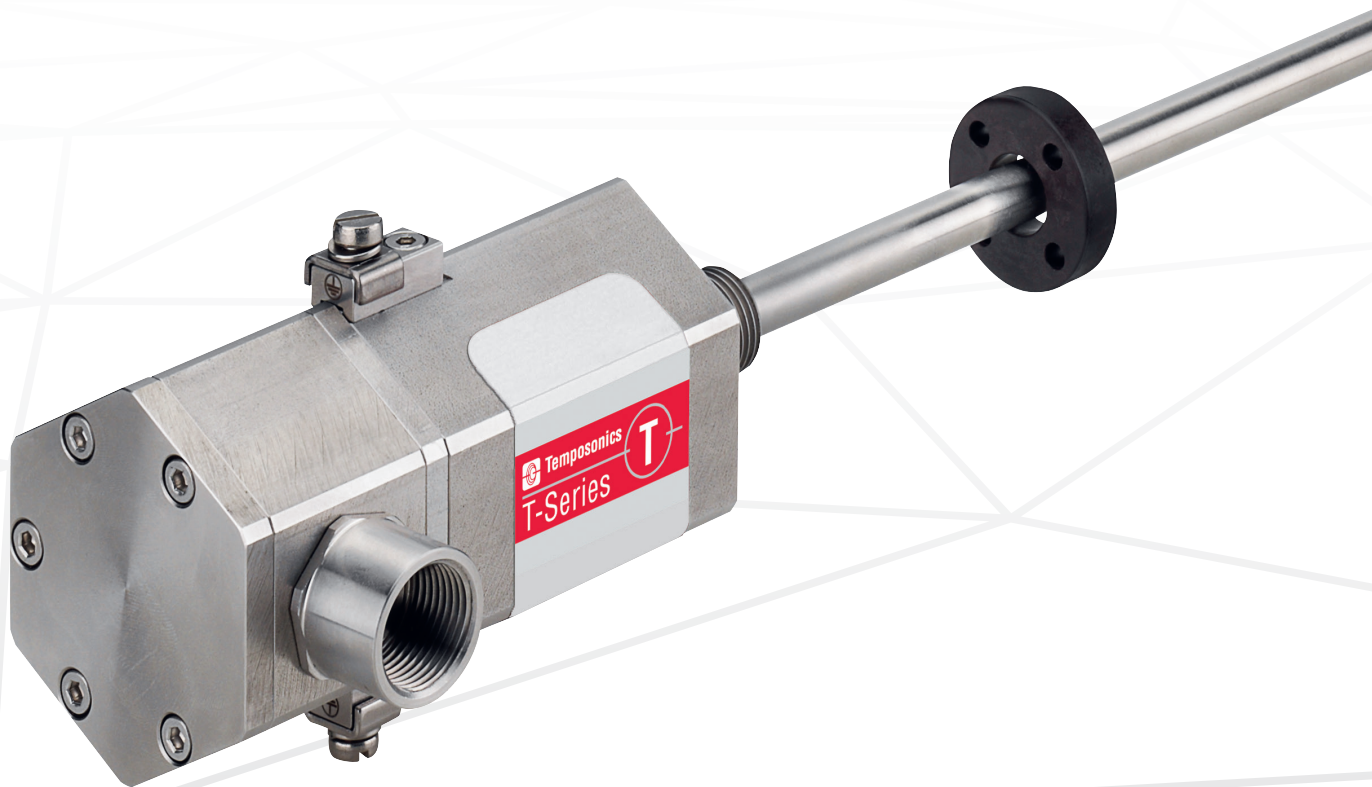


## Data Sheet

### **T-Series – TH Analog**

#### Magnetostrictive Linear Position Sensors

- ATEX/UK Ex/IECEX/CEC/NEC/KCs/CCC/PESO certified/Japanese approval/  
ClassNK approval
- Continuous operation under harsh industrial conditions
- Flameproof/Explosionproof/Increased safety



## MEASURING TECHNOLOGY

The absolute, linear position sensors provided by Temposonics rely on the company's proprietary magnetostrictive technology, which can determine position with a high level of precision and robustness. Each Temposonics® position sensor consists of a ferromagnetic waveguide, a position magnet, a strain pulse converter and a supporting electronics. The magnet, connected to the object in motion in the application, generates a magnetic field at its location on the waveguide. A short current pulse is applied to the waveguide. This creates a momentary radial magnetic field and torsional strain on the waveguide. The momentary interaction of the magnetic fields releases a torsional strain pulse that propagates the length of the waveguide. When the ultrasonic wave reaches the beginning of the waveguide it is converted into an electrical signal. Since the speed of the ultrasonic wave in the waveguide is precisely known, the time required to receive the return signal can be converted into a linear position measurement with both high accuracy and repeatability.

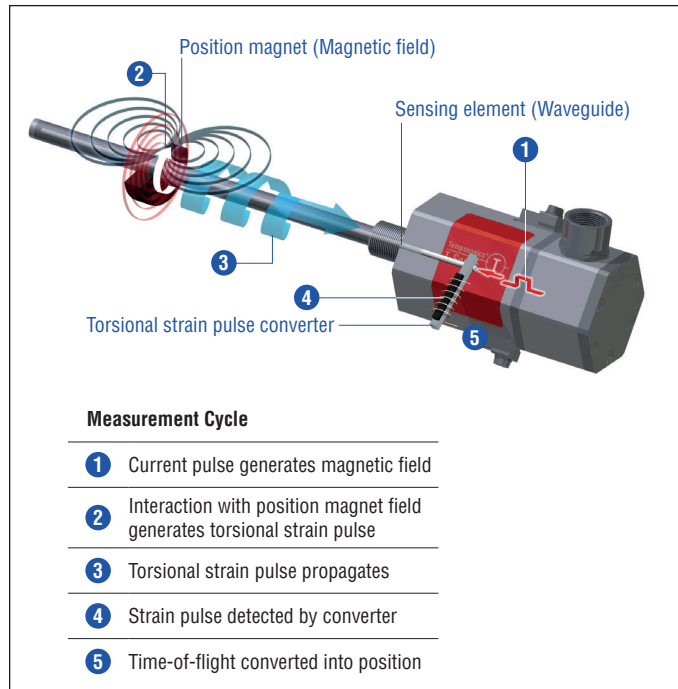


Fig. 1: Time-of-flight based magnetostrictive position sensing principle

## TH SENSOR

Robust, non-contact and wear free, the Temposonics® linear position sensors provide best durability and accurate position measurement solutions in harsh industrial environments. The position measurement accuracy is tightly controlled by the quality of the waveguide which is manufactured by Temposonics. The position magnet is mounted on the moving machine part and travels contactlessly over the sensor rod with the built-in waveguide.

The TH sensor is extremely robust and ideal for continuous operation under harsh industrial conditions. T-Series sensors are certified for hazardous areas in Zone 0/1, Zone 1, Zone 2, Zone 21 and Zone 22 for Europe (ATEX), the English, Welsh, Scottish (UK Ex), the global (IECEX), the South Korean (KCs), the Chinese (CCC), the Indian (PESO), the Japanese market as well as for use in Class I, II, III, Division 1, Division 2 for Canada (CEC) and USA (NEC). The sensor electronics housing contains the active signal conditioning and a complete integrated electronics interface. The sensor rod is capable of withstanding high pressures such as those found in hydraulic cylinders. Furthermore the sensor is also suitable for petro chemical plants and caustic environments. In addition the sensor meets the ingress protection IP66/IP67/IP68 (100 m for 7 days)/IP69 and NEMA 4 (for sensor assembly in stainless steel 1.4305 (AISI 303)) or NEMA 4x (for sensor assembly in stainless steel 1.4404 (AISI 316L)).



Fig. 2: Typical application: Tank systems

## TECHNICAL DATA

Output	
Current	4(0)...20 mA, 20...4(0) mA (minimum/maximum load 0/500 Ω)
Measured value	Position
Measurement parameters	
Resolution	16 bit; 0.0015 % (minimum 1 μm) <sup>1</sup>
Cycle time	0.5 ms up to 1200 mm stroke length 1.0 ms up to 2400 mm stroke length 2.0 ms up to 4800 mm stroke length 5.0 ms up to 7620 mm stroke length
Linearity <sup>2</sup>	< ±0.01 % F.S. (minimum ±50 μm)
Repeatability	< ±0.001 % F.S. (minimum ±2.5 μm) typical
Hysteresis	< 4 μm typical
Temperature coefficient	< 30 ppm/K typical
Operating conditions	
Operating temperature	-40...+75 °C (-40...+167 °F)
Humidity	90 % relative humidity, no condensation
Ingress protection	IP66/IP67/IP68 (100 m for 7 days)/IP69 and NEMA 4 (for sensor assembly in stainless steel 1.4305 (AISI 303)) or NEMA 4X (for sensor assembly in stainless steel 1.4404 (AISI 316L)) (if appropriate pipes, glands, etc. are connected properly)
Shock test	100 g (single shock), IEC standard 60068-2-27
Vibration test	15 g/10...2000 Hz, IEC standard 60068-2-6 (resonance frequencies excluded)
EMC test	Electromagnetic emission according to EN 55011 (CISPR 11) Class B and EN IEC 61000-6-3 Electromagnetic immunity according to EN IEC 61000-6-2 The TH sensors fulfill the requirements of the EMC directives 2014/30/EU, UKSI 2016 No. 1091
Operating pressure	350 bar static (5076 psi static)
Magnet movement velocity <sup>3</sup>	Any
Design/Material	
Sensor electronics housing	Stainless steel 1.4305 (AISI 303); option: Stainless steel 1.4404 (AISI 316L)
Flange	See "Table 1: TH rod sensor threaded flange type references" on page 6
Sensor rod	Stainless steel 1.4306 (AISI 304L); option: Stainless steel 1.4404 (AISI 316L)
RoHS compliance	The used materials are compliant with the requirements of EU directive 2011/65/EU and EU regulation 2015/863 as well as UKSI 2012 No. 3032
Stroke length	25...7620 mm (1...300 in.)
Mechanical mounting	
Mounting position	Any
Mounting instruction	Please consult the technical drawings and the operation manual (document number: <a href="#">551513</a> )
Electrical connection	
Connection type	T-Series terminal
Operating voltage	+24 VDC (-15/+20 %)
Ripple	≤ 0.28 V <sub>pp</sub>
Current consumption	100 mA typical
Dielectric strength	700 VDC (DC ground to machine ground)
Polarity protection	Up to -30 VDC
Overvoltage protection	Up to 36 VDC

1/ The internal digital value is transferred via a 16 bit D/A converter into a proportional, analog current signal

2/ With position magnet # 201 542-2

3/ If there is contact between the moving magnet (including the magnet holder) and the sensor rod, make sure that the maximum speed of the moving magnet is ≤ 1 m/s (Safety requirement due to ESD [Electro Static Discharge])

## CERTIFICATIONS

Certification required	Version E	Version D	Version G	Version N
<b>IECEx/ATEX</b> (IECEx: Global market; ATEX: Europe)	Ex db eb IIC T4 Ga/Gb Ex tb IIIC T130°C Ga/Db Zone 0/1, Zone 21 -40 °C ≤ Ta ≤ 75 °C	Ex db IIC T4 Ga/Gb Ex tb IIIC T130°C Ga/Db Zone 0/1, Zone 21 -40 °C ≤ Ta ≤ 75 °C	Ex db IIC T4 Ga/Gb Ex tb IIIC T130°C Ga/Db Zone 0/1, Zone 21 -40 °C ≤ Ta ≤ 75 °C	No hazardous area approval
<b>UK Ex</b> (England, Wales and Scotland)	Ex db eb IIC T4 Ga/Gb Ex tb IIIC T130°C Ga/Db Zone 0/1, Zone 21 -40 °C ≤ Ta ≤ 75 °C	Ex db IIC T4 Ga/Gb Ex tb IIIC T130°C Ga/Db Zone 0/1, Zone 21 -40 °C ≤ Ta ≤ 75 °C	Ex db IIC T4 Ga/Gb Ex tb IIIC T130°C Ga/Db Zone 0/1, Zone 21 -40 °C ≤ Ta ≤ 75 °C	No hazardous area approval
<b>NEC</b> (USA)	—	—	<b>Explosionproof</b> Class I Div. 1 Groups A, B, C, D T4 Class II/III Div. 1 Groups E, F, G T130°C -40 °C ≤ Ta ≤ 75 °C  <b>Flameproof</b> Class I Zone 0/1 AEx d IIC T4 Class II/III Zone 21 AEx tb IIIC T130°C -40 °C ≤ Ta ≤ 75 °C	No hazardous area approval
<b>CEC</b> (Canada)	—	—	<b>Explosionproof</b> Class I Div. 1 Groups B, C, D T4 Class II/III Div. 1 Groups E, F, G T130°C -40 °C ≤ Ta ≤ 75 °C  <b>Flameproof</b> Class I Zone 0/1 Ex d IIC T4 Ga/Gb Class II/III Zone 21 Ex tb IIIC T130°C Db -40 °C ≤ Ta ≤ 75 °C	No hazardous area approval
<b>KCs</b> (South Korea)	Ex d e IIC T4 Ex tb IIIC T130°C Zone 0/1; Zone 21 -40 °C ≤ Ta ≤ 75 °C	Ex d IIC T4 Ex tb IIIC T130°C Zone 0/1; Zone 21 -40 °C ≤ Ta ≤ 75 °C	Ex d IIC T4 Ex tb IIIC T130°C Zone 0/1; Zone 21 -40 °C ≤ Ta ≤ 75 °C	No hazardous area approval
<b>Japanese approval</b>	Ex d e IIC T4 Ga/Gb Ex t IIIC T130°C Db Zone 0/1, Zone 21 -40 °C ≤ Ta ≤ 75 °C	Ex d IIC T4 Ga/Gb Ex t IIIC T130°C Db Zone 0/1, Zone 21 -40 °C ≤ Ta ≤ 75 °C	Ex d IIC T4 Ga/Gb Ex t IIIC T130°C Db Zone 0/1, Zone 21 -40 °C ≤ Ta ≤ 75 °C	No hazardous area approval
<b>CCC</b> (China)	Ex d e IIC T4 Gb Ex tD A21 IP66/67 T130°C Zone 1, Zone 21 -40 °C ≤ Ta ≤ 75 °C	Ex d IIC T4 Gb Ex tD A21 IP66/67 T130°C Zone 1, Zone 21 -40 °C ≤ Ta ≤ 75 °C	Ex d IIC T4 Gb Ex tD A21 IP66/67 T130°C Zone 1, Zone 21 -40 °C ≤ Ta ≤ 75 °C	No hazardous area approval
<b>PESO</b> (India)	Ex db eb IIC T4 Ga/Gb Ex tb IIIC T130°C Ga/Db Zone 0/1, Zone 21 -40 °C ≤ Ta ≤ 75 °C	Ex db eb IIC T4 Ga/Gb Ex tb IIIC T130°C Ga/Db Zone 0/1, Zone 21 -40 °C ≤ Ta ≤ 75 °C	Ex db eb IIC T4 Ga/Gb Ex tb IIIC T130°C Ga/Db Zone 0/1, Zone 21 -40 °C ≤ Ta ≤ 75 °C	No hazardous area approval

Fig. 3: Certifications

## TECHNICAL DRAWINGS

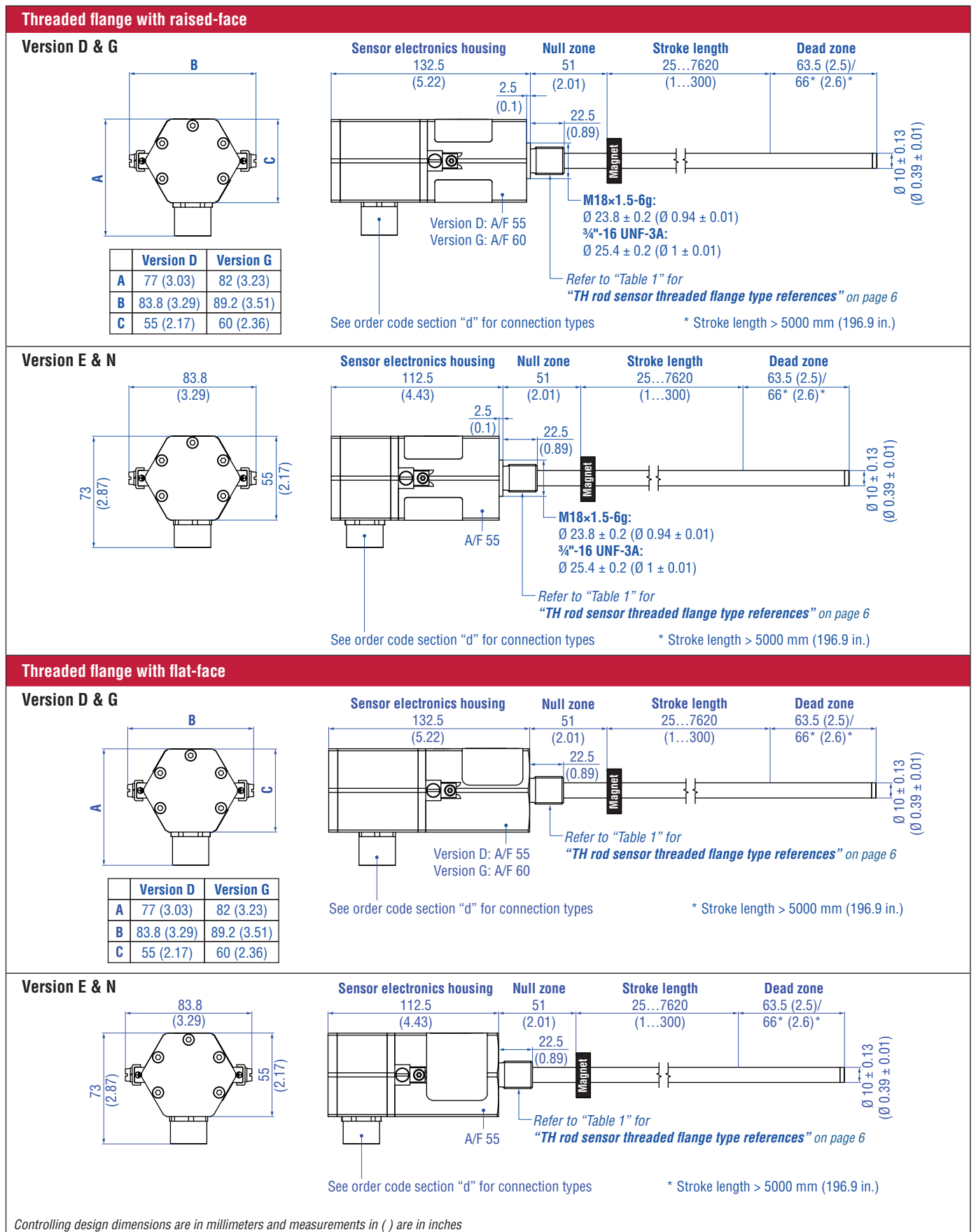


Fig. 4: Temposonics® TH with ring magnet

## CONNECTION OPTIONS

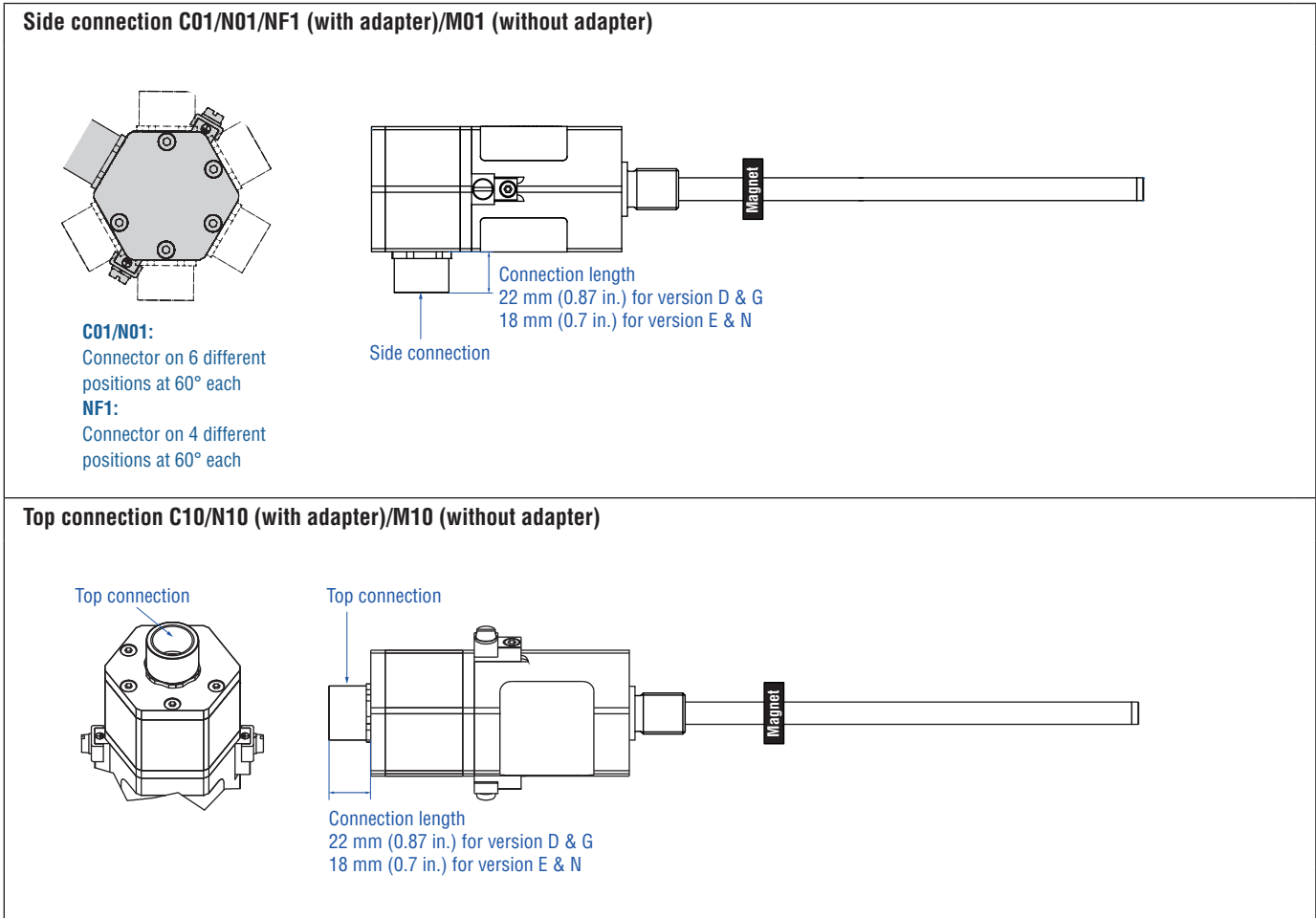


Fig. 5: Temposonics® TH connection options

Threaded flange type	Description	Threaded flange
F	Threaded flange with flat-face Stainless steel 1.4404 (AISI 316L)	¾"-16 UNF-3A
G	Threaded flange with raised-face Stainless steel 1.4404 (AISI 316L)	¾"-16 UNF-3A
M	Threaded flange with flat-face Stainless steel 1.4305 (AISI 303)	M18×1.5-6g
N	Threaded flange with raised-face Stainless steel 1.4305 (AISI 303)	M18×1.5-6g
S	Threaded flange with flat-face Stainless steel 1.4305 (AISI 303)	¾"-16 UNF-3A
T	Threaded flange with raised-face Stainless steel 1.4305 (AISI 303)	¾"-16 UNF-3A
W	Threaded flange with flat-face Stainless steel 1.4404 (AISI 316L)	M18×1.5-6g

Table 1: TH rod sensor threaded flange type references

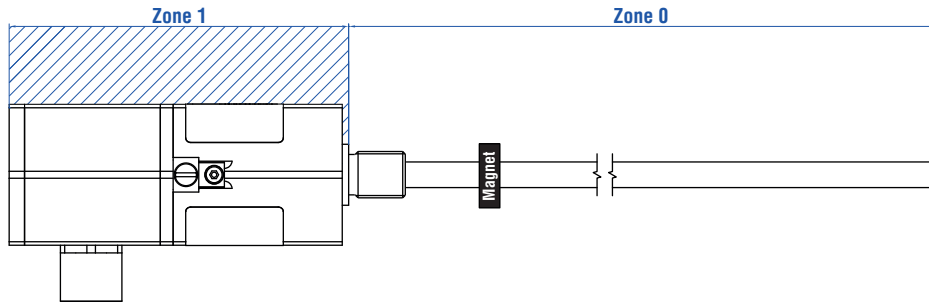
## ZONE CLASSIFICATION

Version D & G (example: Threaded flange with raised-face)

Flameproof (explosionproof) housing with flameproof (explosionproof) connection chamber

Version D: ATEX / UK Ex / IECEx / KCs / CCC / PESO / Japanese Approval / ClassNK Approval

Version G: ATEX / UK Ex / IECEx / CEC / NEC / KCs / CCC / PESO / Japanese Approval / ClassNK Approval



Version E (example: Threaded flange with raised-face)

Flameproof housing with increased safety connection chamber

ATEX / UK Ex / IECEx / KCs / CCC / PESO / Japanese Approval / ClassNK Approval

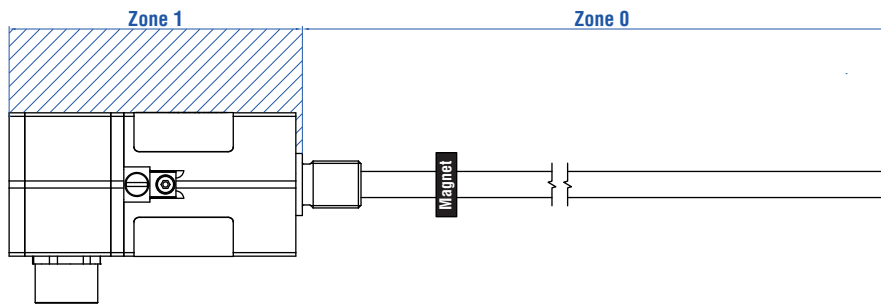


Fig. 6: Temposonics® TH Zone classification

### NOTICE

Seal sensor according to ingress protection IP67 between Zone 0 and Zone 1.

## CONNECTOR WIRING

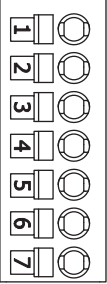
Version D & G suitable for connection types: C01, C10, N01, N10		
Signal + power supply		
Terminal	Pin	Function
	1	Output 1
	2	Signal Ground
	3	Output 2
	4	Signal Ground
	5	+24 VDC (-15/+20 %)
	6	DC Ground (0 V)
	7	Cable shield

Fig. 7: TH (version D & G) wiring diagram (2.5 mm<sup>2</sup> conductor)


Version E & N suitable for connection types: C01, C10, M01, M10, N01, N10		
Signal + power supply		
Terminal	Pin	Function
	1	Output 1
	2	Signal Ground
	3	Output 2
	4	Signal Ground
	5	+24 VDC (-15/+20 %)
	6	DC Ground (0 V)
	7	Cable shield

Fig. 8: TH (version E & N) wiring diagram (1.5 mm<sup>2</sup> conductor)



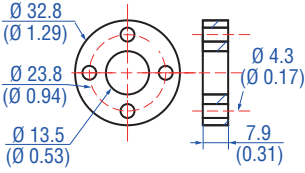
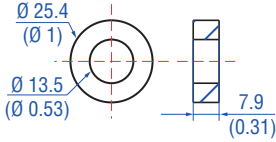
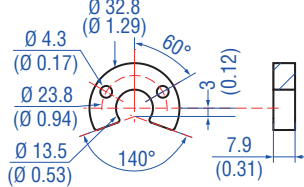
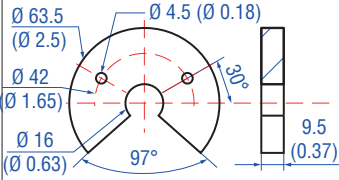
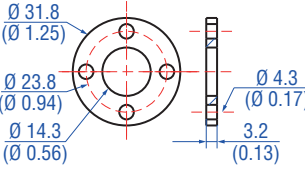
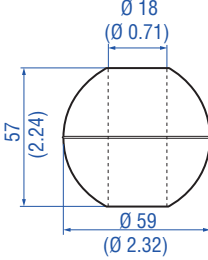
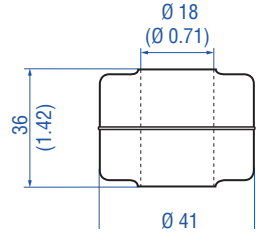
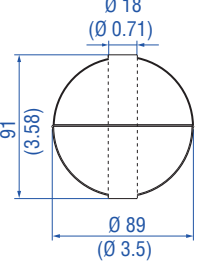
Version E & N suitable for connection type: NF1		
Signal + power supply		
Terminal	Pin	Function
	1	Output 1
	2	Signal Ground
	3	Output 2
	4	+24 VDC (-15/+20 %)
	5	DC Ground (0 V)
	6	Cable shield

Fig. 9: TH (version E & N) wiring diagram (2.5 mm<sup>2</sup> conductor)



**FREQUENTLY ORDERED ACCESSORIES** – Additional options available in our [Accessories Guide](#)  [551444](#)

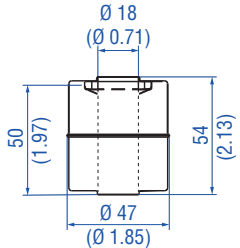
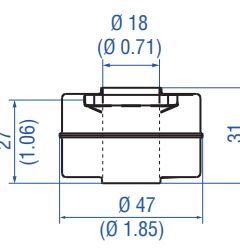
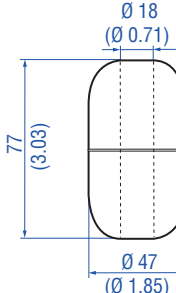
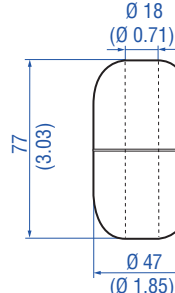
<b>Position magnet</b>			
			
<p><b>Ring magnet OD33</b> Part no. 201 542-2</p>	<p><b>Ring magnet OD25.4</b> Part no. 400 533</p>	<p><b>U-magnet OD33</b> Part no. 251 416-2</p>	<p><b>U-magnet OD63.5</b> Part no. 201 553</p>
<p>Material: PA ferrite GF20 Weight: Approx. 14 g Surface pressure: Max. 40 N/mm<sup>2</sup> Fastening torque for M4 screws: 1 Nm Operating temperature: -40...+105 °C (-40...+221 °F)</p>	<p>Material: PA ferrite Weight: Approx. 10 g Surface pressure: Max. 40 N/mm<sup>2</sup> Operating temperature: -40...+105 °C (-40...+221 °F)</p>	<p>Material: PA ferrite GF20 Weight: Approx. 11 g Surface pressure: Max. 40 N/mm<sup>2</sup> Fastening torque for M4 screws: 1 Nm Operating temperature: -40...+105 °C (-40...+221 °F)</p>	<p>Material: PA 66-GF30, magnets compound-filled Weight: Approx. 26 g Surface pressure: 20 N/mm<sup>2</sup> Fastening torque for M4 screws: 1 Nm Operating temperature: -40...+75 °C (-40...+167 °F)</p>

<b>Magnet spacer</b>	<b>Floats<sup>4</sup></b>		
			
<p><b>Magnet spacer</b> Part no. 400 633</p>	<p><b>Float</b> Part no. 251 387-2</p>	<p><b>Float</b> Part no. 200 938-2</p>	<p><b>Float</b> Part no. 251 469-2</p>
<p>Material: Aluminum Weight: Approx. 5 g Surface pressure: Max. 20 N/mm<sup>2</sup> Fastening torque for M4 screws: 1 Nm</p>	<p>Material: Stainless steel (AISI 316L) Weight offset: Yes Pressure: 22.4 bar (325 psi) Magnet offset: No Specific gravity: Max. 0.48 Operating temperature: -40...+125 °C (-40...+257 °F)</p>	<p>Material: Stainless steel (AISI 316L) Weight offset: Yes Pressure: 8.6 bar (125 psi) Magnet offset: No Specific gravity: Max. 0.74 Operating temperature: -40...+125 °C (-40...+257 °F)</p>	<p>Material: Stainless steel (AISI 316L) Weight offset: Yes Pressure: 29.3 bar (425 psi) Magnet offset: No Specific gravity: Max. 0.45 Operating temperature: -40...+125 °C (-40...+257 °F)</p>

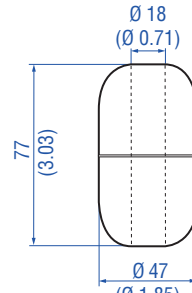
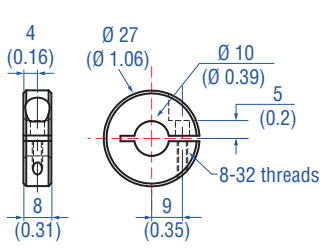
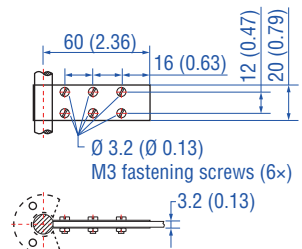
Controlling design dimensions are in millimeters and measurements in ( ) are in inches

- 4/
- Be sure that the float specific gravity is at least 0.05 less than that of the measured liquid as a safety margin at ambient temperature
  - For interface measurement: A minimum of 0.05 specific gravity differential is required between the upper and lower liquids
  - When the magnet is not shown, the magnet is positioned at the center line of float
  - An offset weight is installed in the float to bias or tilt the float installed on the sensor tube. So the float remains in contact with the sensor tube at all times and guarantees permanent potential equalization of the float. The offset is required for installations that must conform to hazardous location standards

**Floats<sup>5</sup>**

			
<p><b>Float</b> <b>Part no. 201 605-2</b></p> <p>Material: Stainless steel 1.4571 (AISI 316 Ti) Weight offset: Yes Pressure: 4 bar (60 psi) Magnet offset: Yes Specific gravity: Max. 0.6 Operating temperature: -40...+125 °C (-40...+257 °F)</p> <p>Standard float that can be expedited</p>	<p><b>Float</b> <b>Part no. 201 606-2</b></p> <p>Material: Stainless steel 1.4571 (AISI 316 Ti) Weight offset: Yes Pressure: 4 bar (60 psi) Magnet offset: Yes Specific gravity: 0.93 ± 0.01 Operating temperature: -40...+125 °C (-40...+257 °F)</p> <p>Standard float that can be expedited</p>	<p><b>Float</b> <b>Part no. 251 982-2</b></p> <p>Material: Stainless steel (AISI 316L) Weight offset: Yes Pressure: 29.3 bar (425 psi) Magnet offset: No Specific gravity: 0.93 ± 0.01 Operating temperature: -40...+125 °C (-40...+257 °F)</p>	<p><b>Float</b> <b>Part no. 251 983-2</b></p> <p>Material: Stainless steel (AISI 316L) Weight offset: Yes Pressure: 29.3 bar (425 psi) Magnet offset: No Specific gravity: 1.06 ± 0.01 Operating temperature: -40...+125 °C (-40...+257 °F)</p>

**Floats<sup>5</sup> Stop collar Optional installation hardware**

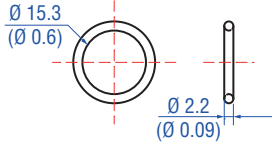
		
<p><b>Float</b> <b>Part no. 251 981-2</b></p> <p>Material: Stainless steel (AISI 316L) Pressure: 29.3 bar (425 psi) Specific gravity: Max. 0.67 Operating temperature: -40...+125 °C (-40...+257 °F)</p>	<p><b>Stop collar for Ø 10 mm</b> <b>Part no. 560 777</b></p> <p>Provides end of stroke stops for float Material: Stainless steel 1.4301 (AISI 304) Weight: Approx. 30 g Hex key 7/64" required</p>	<p><b>Fixing clip</b> <b>Part no. 561 481</b></p> <p>Application: Used to secure sensor rods (Ø 10 mm (Ø 0.39 in.)) when using an U-magnet or block magnet Material: Brass, non-magnetic</p>

Controlling design dimensions are in millimeters and measurements in ( ) are in inches

- 5/ • Be sure that the float specific gravity is at least 0.05 less than that of the measured liquid as a safety margin at ambient temperature
- For interface measurement: A minimum of 0.05 specific gravity differential is required between the upper and lower liquids
- When the magnet is not shown, the magnet is positioned at the center line of float

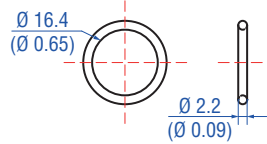
- An offset weight is installed in the float to bias or tilt the float installed on the sensor tube. So the float remains in contact with the sensor tube at all times and guarantees permanent potential equalization of the float. The offset is required for installations that must conform to hazardous location standards

## O-rings



**O-ring for threaded flange  
M18x1.5-6g  
Part no. 401 133**

Material: Fluoroelastomer  
Durometer: 75 ± 5 Shore A  
Operating temperature:  
-40...+204 °C (-40...+400 °F)



**O-ring for threaded flange  
3/4\"/>**

Material: Fluoroelastomer  
Durometer: 75 ± 5 Shore A  
Operating temperature:  
-40...+204 °C (-40...+400 °F)

## Programming tools



**Hand programmer for analog output  
Part no. 253 124**

Easy teach-in-setups of stroke length and direction on desired zero / span positions. For sensors with 1 magnet.



**Programming kit  
Part no. 253 134-1**

Kit includes:  
1 × interface converter box,  
1 × power supply  
1 × cable (60 cm) with M16 female connector (6 pin), straight – D-sub female connector (9 pin), straight  
1 × cable (60 cm) with 3 × terminal clamp – D-sub female connector (9 pin), straight  
1 × USB cable

For sensors with 1 or 2 magnets.

Software is available at:  
[www.temposonics.com](http://www.temposonics.com)



**Cabinet programmer for analog output  
Part no. 253 408**

Features snap-in mounting on standard DIN rail (35 mm). This programmer can be permanently mounted in a control cabinet and includes a program/run switch. For sensors with 1 magnet.

## ORDER CODE

1	2	3	4	5	6	7	8	9	10	11	12	13	14	15	16	17	18
T	H										1			N			
a		b	c					d			e	f	g	h	i		

<b>a</b>	<b>Sensor model</b>	
T	H	Rod

<b>b</b>	<b>Design</b>
<b>Enclosure Type 4:</b> <b>TH rod sensor with housing material stainless steel 1.4305 (AISI 303) and rod material stainless steel 1.4306 (AISI 304L)</b>	
M	Threaded flange with flat-face (M18×1.5-6g)
N	Threaded flange with raised-face (M18×1.5-6g)
S	Threaded flange with flat-face (¾"-16 UNF-3A)
T	Threaded flange with raised-face (¾"-16 UNF-3A)
<b>Enclosure Type 4X:</b> <b>TH rod sensor with housing material stainless steel 1.4404 (AISI 316L) and rod material stainless steel 1.4404 (AISI 316L)</b>	
F	Threaded flange with flat-face (¾"-16 UNF-3A)
G	Threaded flange with raised-face (¾"-16 UNF-3A)
W	Threaded flange with flat-face (M18×1.5-6g)

<b>c</b>	<b>Stroke length</b>				
X	X	X	X	M	0025...7620 mm
<b>Standard stroke length (mm)</b>		<b>Ordering steps</b>			
25 ... 500 mm		5 mm			
500 ... 750 mm		10 mm			
750...1000 mm		25 mm			
1000...2500 mm		50 mm			
2500...5000 mm		100 mm			
5000...7620 mm		250 mm			
X	X	X	X	U	001.0...300.0 in.
<b>Standard stroke length (in.)</b>		<b>Ordering steps</b>			
1 ... 20 in.		0.2 in.			
20 ... 30 in.		0.4 in.			
30 ... 40 in.		1.0 in.			
40...100 in.		2.0 in.			
100...200 in.		4.0 in.			
200...300 in.		10.0 in.			
Non Standard stroke lengths are available; must be encoded in 5 mm/0.1 in. increments.					

<b>d</b>	<b>Connection type</b>		
C	0	1	Side connection with thread ½"-14 NPT (All versions)
C	1	0	Top connection with thread ½"-14 NPT (All versions)
M	0	1	Side connection with thread M16×1.5-6H (Version E & N)
M	1	0	Top connection with thread M16×1.5-6H (Version E & N)
N	0	1	Side connection with thread M20×1.5-6H (All versions)
N	1	0	Top connection with thread M20×1.5-6H (All versions)
N	F	1	Side connection with thread M20×1.5-6H (Version E & N)

<b>e</b>	<b>Operating voltage</b>
1	+24 VDC (-15/+20 %)

<b>f</b>	<b>Version</b> (see "Certifications" on page 4 for further information)
D	Ex db and Ex tb (A/F 55)
E	Ex db eb and Ex tb (A/F 55)
G	Ex db and Ex tb (A/F 60) US & CA approval: Explosionproof (XP) <b>(Note: Group A is not available for Canada)</b>
N	Not approved

**g** See next page

<b>g</b>	<b>Functional safety type</b>
<b>N</b>	Not approved

<b>h</b>	<b>Additional option type</b>
<b>K</b>	ClassNK approval (Notice: Available with the following configurations
<b>c</b>	Stroke length: 25...500 mm (standard)
<b>f</b>	Version: <b>D</b> , <b>E</b> , <b>G</b> )
<b>N</b>	None

<b>i</b>	<b>Output</b>
<b>1 output with 1 position magnet</b>	
<b>Output 1 (position magnet 1)</b>	
<b>A</b>	<b>0 1</b> 4...20 mA
<b>A</b>	<b>1 1</b> 20...4 mA
<b>A</b>	<b>2 1</b> 0...20 mA
<b>A</b>	<b>3 1</b> 20...0 mA
<b>2 outputs with 1 position magnet</b>	
<b>Output 1 (position magnet 1) + output 2 (position magnet 1)</b>	
<b>A</b>	<b>0 3</b> 4...20 mA      20...4 mA
<b>2 outputs with 2 position magnets</b>	
<b>Output 1 (position magnet 1) + output 2 (position magnet 2)</b>	
<b>A</b>	<b>0 2</b> 4...20 mA      4...20 mA
<b>A</b>	<b>1 2</b> 20...4 mA      20...4 mA
<b>A</b>	<b>2 2</b> 0...20 mA      0...20 mA
<b>A</b>	<b>3 2</b> 20...0 mA      20...0 mA

<b>NOTICE</b>
<ul style="list-style-type: none"> <li>Specify magnet numbers for your sensing application and order separately.</li> <li>The number of magnets is limited by the stroke length.</li> <li>The minimum allowed distance between magnets (i.e. front face of one to the front face of the next one) is 75 mm (3 in.).</li> <li>Use magnets of the same type for multi-position measurement.</li> </ul>

## DELIVERY



Sensor

Accessories have to be ordered separately

**Manuals, Software & 3D Models available at:**  
[www.temposonics.com](http://www.temposonics.com)

**UNITED STATES**  
**Temposonics, LLC**  
Americas & APAC Region  
3001 Sheldon Drive  
Cary, N.C. 27513  
Phone: +1 919 677-0100  
E-mail: [info.us@temposonics.com](mailto:info.us@temposonics.com)

**GERMANY**  
**Temposonics**  
**GmbH & Co. KG**  
EMEA Region & India  
Auf dem Schüffel 9  
58513 Lüdenscheid  
Phone: +49 2351 9587-0  
E-mail: [info.de@temposonics.com](mailto:info.de@temposonics.com)

**ITALY**  
Branch Office  
Phone: +39 030 988 3819  
E-mail: [info.it@temposonics.com](mailto:info.it@temposonics.com)

**FRANCE**  
Branch Office  
Phone: +33 6 14 060 728  
E-mail: [info.fr@temposonics.com](mailto:info.fr@temposonics.com)

**UK**  
Branch Office  
Phone: +44 79 21 83 05 86  
E-mail: [info.uk@temposonics.com](mailto:info.uk@temposonics.com)

**SCANDINAVIA**  
Branch Office  
Phone: +46 70 29 91 281  
E-mail: [info.sca@temposonics.com](mailto:info.sca@temposonics.com)

**CHINA**  
Branch Office  
Phone: +86 21 3405 7850  
E-mail: [info.cn@temposonics.com](mailto:info.cn@temposonics.com)

**JAPAN**  
Branch Office  
Phone: +81 3 6416 1063  
E-mail: [info.jp@temposonics.com](mailto:info.jp@temposonics.com)

**Document Part Number:**  
551385 Revision I (EN) 04/2023



**temposonics.com**