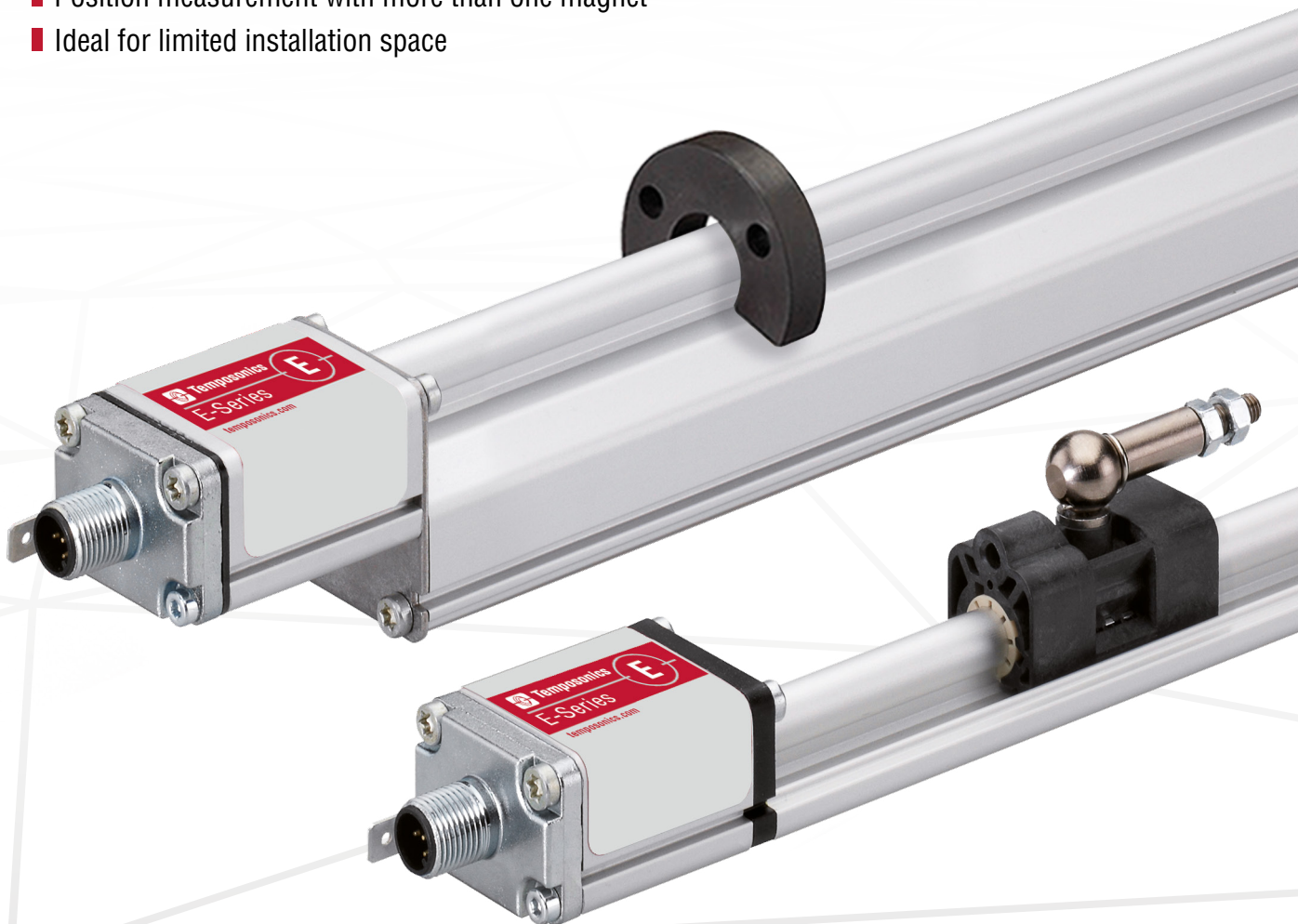


Data Sheet

E-Series EP/EL Analog

Magnetostrictive Linear Position Sensors

- For standard applications
- Position measurement with more than one magnet
- Ideal for limited installation space



MEASURING TECHNOLOGY

The absolute, linear position sensors provided by Temposonics rely on the company's proprietary magnetostrictive technology, which can determine position with a high level of precision and robustness. Each Temposonics® position sensor consists of a ferromagnetic waveguide, a position magnet, a strain pulse converter and supporting electronics. The magnet, connected to the object in motion in the application, generates a magnetic field at its location on the waveguide. A short current pulse is applied to the waveguide. This creates a momentary radial magnetic field and torsional strain on the waveguide. The momentary interaction of the magnetic fields releases a torsional strain pulse that propagates the length of the waveguide. When the ultrasonic wave reaches the beginning of the waveguide it is converted into an electrical signal. Since the speed of the ultrasonic wave in the waveguide is precisely known, the time required to receive the return signal can be converted into a linear position measurement with both high accuracy and repeatability.

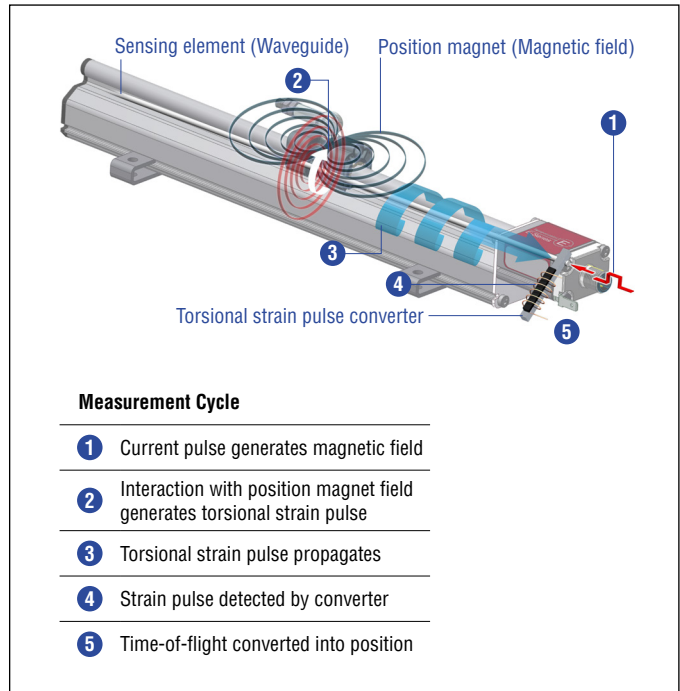


Fig. 1: Time-of-flight based magnetostrictive position sensing principle

EP/EL SENSOR

Robust, non-contact and wear free, the Temposonics® linear position sensors provide the best durability and precise position measurement feedback in harsh industrial environments. Measurement accuracy is tightly controlled by the quality of the waveguide manufactured exclusively by Temposonics.

The compact Temposonics® EP as well as the ultra low Temposonics® EL are profile sensors suitable for standard applications and in particular for applications with limited installation space. The evaluation electronics is accommodated in an aluminum sensor housing. Typical fields of applications are plastics industry, metal forming and wood-working as well as factory automation.

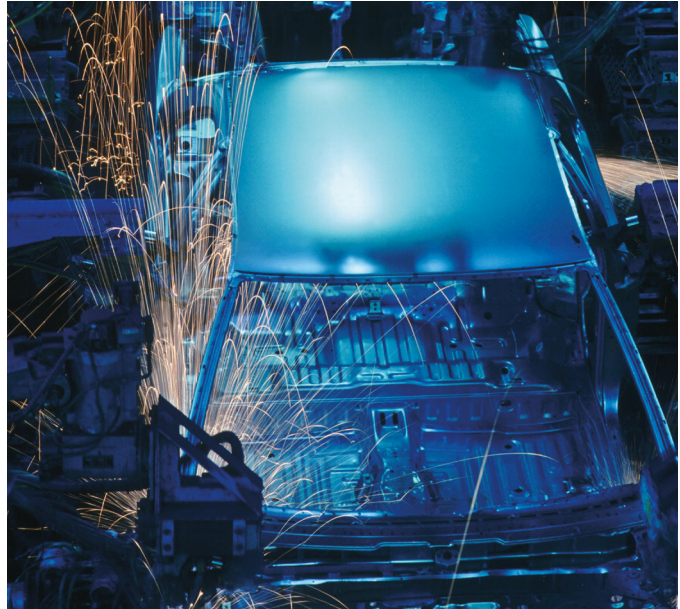


Fig. 2: Typical application: Factory automation

TECHNICAL DATA

Output	
Analog	Voltage: 0...10 VDC/10...0 VDC (controller input resistance $R_i > 5 \text{ k}\Omega$) Current: 4...20 mA/20...4 mA (minimum/maximum load: 0/500 Ω)
Measured variable	Position/option: Multi-position measurement (2 positions)
Measurement parameters	
Resolution	Infinite
Cycle time	Typical 0.3 ms < t < 2 ms (depending on stroke length)
Linearity deviation ¹	$\leq \pm 0.02 \%$ F.S. (minimum $\pm 60 \mu\text{m}$)
Repeatability	$\leq \pm 0.005 \%$ F.S. (minimum $\pm 20 \mu\text{m}$)
Operating conditions	
Operating temperature	-40...+75 °C (-40...+167 °F)
Humidity	90 % relative humidity, no condensation
Ingress protection ²	IP67 (connectors correctly fitted)
Shock test	100 g (single shock), IEC standard 60068-2-27
Vibration test	15 g/10...2000 Hz, IEC standard 60068-2-6 (excluding resonant frequencies)
EMC test	Electromagnetic emission according to EN 61000-6-3 Electromagnetic immunity according to EN 61000-6-2 The EP/EL sensors fulfill the requirements of the EMC Directives 2014/30/EU, UKSI 2016 No. 1091 and TR ZU 020/2011
Magnet movement velocity	Magnet slider: $\leq 5 \text{ m/s}$; U-magnet: Any; block magnet: Any
Design/Material	
Sensor electronics housing	Aluminum
Sensor profile	Aluminum
RoHS compliance	The used materials are compliant with the requirements of EU directive 2011/65/EU and EU regulation 2015/863 as well as UKSI 2022 No. 622 with amendments
Stroke length	50...2540 mm (2...100 in.)
Mechanical mounting	
Mounting position	Any
Mounting instruction	Please consult the technical drawings on page 4
Electrical connection	
Connection type	M12 male connector (5 pin)
Operating voltage	+24 VDC (-15/+20 %); The EP/EL sensors must be power supplied via an external Class 2 power source in accordance with the UL approval
Ripple	$\leq 0.28 \text{ V}_{pp}$
Current consumption	50...140 mA
Dielectric strength	500 VDC (DC ground to machine ground)
Polarity protection	Up to -30 VDC
Overvoltage protection	Up to 36 VDC

1/ With magnet slider # 252 182 and # 252 184, U-magnet # 251 416-2

2/ The IP rating IP67 is only valid for the sensor electronics housing, as water and dust can get inside the profile.

TECHNICAL DRAWING

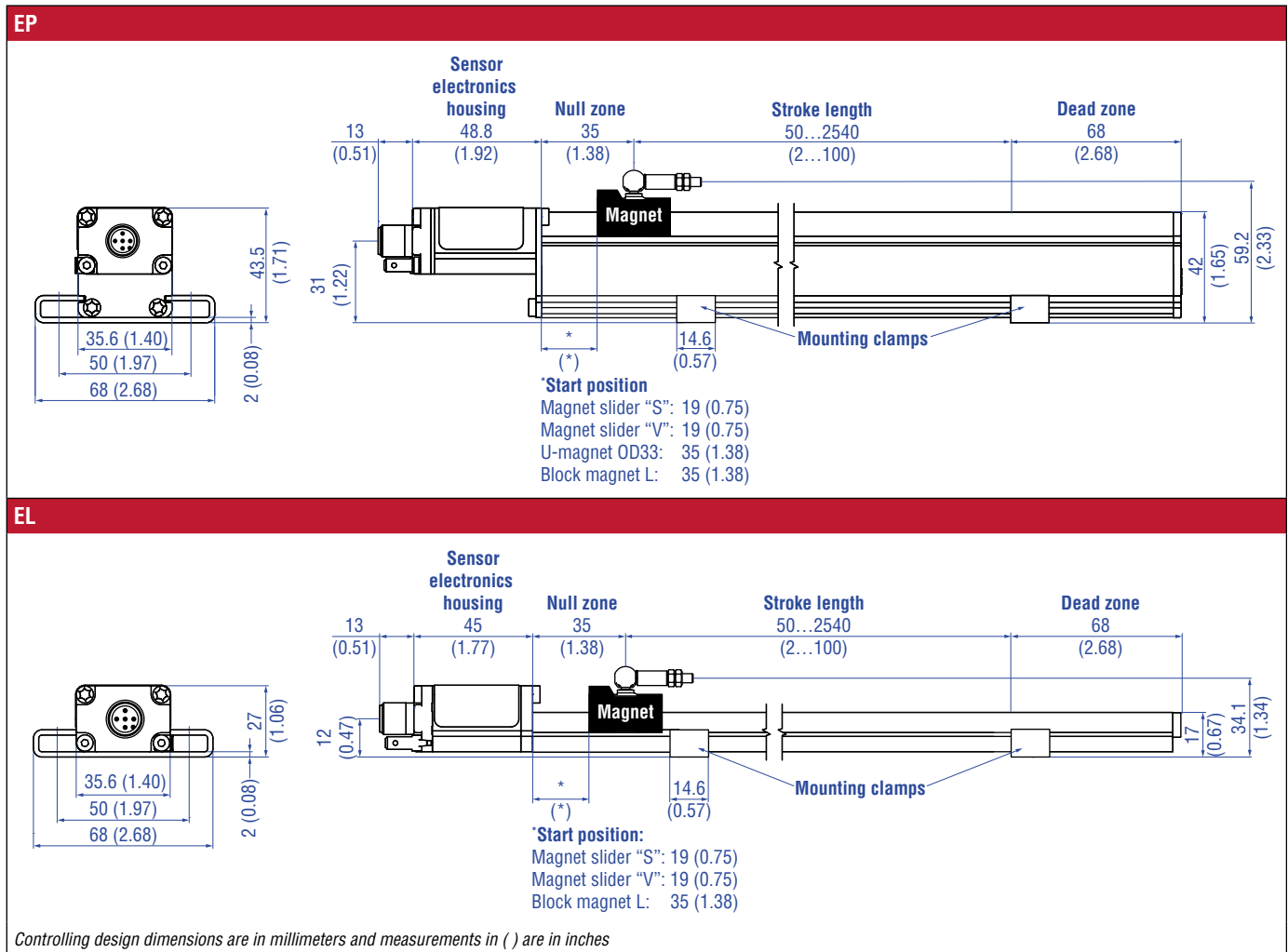


Fig. 3: Temposonics® EP/EL with magnet slider

CONNECTOR WIRING

D34

Signal + power supply

M12 male connector (A-coded)	Pin	Function
<p>View on sensor</p>	1	+24 VDC (-15/+20 %)
	2	Output 1
	3	DC Ground (0 V)
	4	Output 2
	5	Signal Ground for Output 1/2

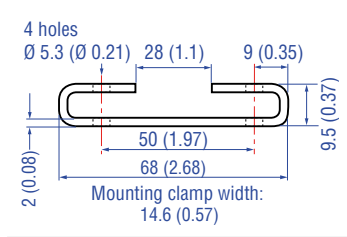
Fig. 4: Connector wiring D34

FREQUENTLY ORDERED ACCESSORIES – Additional options available in our [Accessories Catalog](#) 551444

Position magnets

<p>Magnet slider S, joint at top Part no. 252 182</p> <p>Material: GRP, magnet hard ferrite Weight: Approx. 35 g Operating temperature: –40...+85 °C (–40...+185 °F)</p>	<p>Magnet slider V, joint at front Part no. 252 184</p> <p>Material: GRP, magnet hard ferrite Weight: Approx. 35 g Operating temperature: –40...+85 °C (–40...+185 °F)</p>	<p>U-magnet OD33 Part no. 251 416-2</p> <p>Material: PA ferrite GF20 Weight: Approx. 11 g Surface pressure: Max. 40 N/mm² Fastening torque for M4 screws: 1 Nm Operating temperature: –40...+105 °C (–40...+221 °F)</p>	<p>Block magnet L Part no. 403 448</p> <p>Material: Plastic carrier with neodymium magnet Weight: Approx. 20 g Fastening torque for M4 screws: 1 Nm Operating temperature: –40...+75 °C (–40...+167 °F)</p> <p>This magnet may influence the sensor performance specifications for some applications.</p>

Mounting accessory

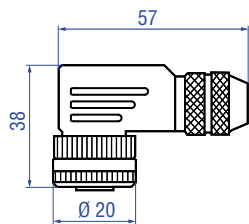
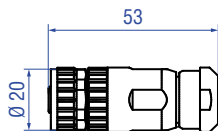


Mounting clamp
Part no. 403 508

Material: Stainless steel 1.4301/1.4305 (AISI 304/303)

Controlling design dimensions are in millimeters and measurements in () are in inches

Kabelsteckverbinder*



M12-A-codierte Buchse (4 pol./5 pol.), gerade
Artikelnr. 370 677

Material: GD-Zn, Ni
 Anschlussart: Schraubanschluss
 Kontakteinsatz: CuZn
 Kabel Ø: 4...8 mm
 Ader: max. 1,5 mm² (16 AWG)
 Betriebstemperatur: -30...+85 °C
 Schutzart: IP67 (fachgerecht montiert)
 Anzugsmoment: 0,6 Nm

M12-A-codierte Buchse (5 pol.), gewinkelt
Artikelnr. 370 678

Material: GD-Zn, Ni
 Anschlussart: Schraubanschluss
 Kontakteinsatz: CuZn
 Kabel Ø: 5...8 mm
 Ader: max 0,75 mm² (18 AWG)
 Betriebstemperatur: -25...+85 °C
 Schutzart: IP67 (fachgerecht montiert)
 Anzugsmoment: 0,4 Nm

Kabelsets



Kabel mit M12-A-codierter Buchse (5 pol.), gerade – offenes Kabelende
Artikelnr. 370 673

Material: PUR-Ummantelung; schwarz
 Eigenschaft: Geschirmt
 Kabellänge: 5 m
 Schutzart: IP67 (fachgerecht montiert)
 Betriebstemperatur: -25...+80 °C

Kabel mit M12-A-codierter Buchse (5 pol.), gewinkelt – offenes Kabelende
Artikelnr. 370 675

Material: PUR-Ummantelung; schwarz
 Eigenschaft: Geschirmt
 Kabellänge: 5 m
 Schutzart: IP67 (fachgerecht montiert)
 Betriebstemperatur: -25...+80 °C

Anschlussbelegung

Adern	Farbe	Pol.	M12-A-codierte Buchse (5 pol.)
	BN	↔ 1	
	WH	↔ 2	
	BU	↔ 3	
	BK	↔ 4	
	GY	↔ 5	

* / Beachten Sie die Montagehinweise des Herstellers
 Farbe der Stecker und Kabelmantel können sich ggf. ändern. Dabei bleiben Farben der Adern sowie technische Eigenschaften unverändert
 Alle Maße in mm

ORDER CODE

1	2	3	4	5	6	7	8	9	10	11	12	13	14	15	
E		0						D	3	4	1				
a	b	c						d	e	f					

a	Sensor model
E	P Ultra low profile
E	L Compact profile

b	Design
0	Without position magnet

c	Stroke length				
X	X	X	X	M	0050...2540 mm
Standard stroke length (mm)		Ordering steps			
50... 500 mm		25 mm			
500...2540 mm		50 mm			
X	X	X	X	U	002.0...100.0 in.
Standard stroke length (in.)		Ordering steps			
2... 20 in.		1.0 in.			
20...100 in.		2.0 in.			
Non-standard stroke lengths are available; must be encoded in 5 mm/0.1 in. increments.					

d	Connection type
D	3 4 M12 male connector (5 pin)

e	Operating voltage
1	+24 VDC (-15/+20 %)

f	Output
Voltage	
V	0 1 0...10 VDC (1 output channel with 1 position magnet)
V	1 1 10...0 VDC (1 output channel with 1 position magnet)
V	0 2 0...10 VDC (2 output channels with 2 position magnets)
V	1 2 10...0 VDC (2 output channels with 2 position magnets)
V	0 3 0...10 VDC and 10...0 VDC (2 output channels with 1 position magnet)
Current	
A	0 1 4...20 mA (1 output channel with 1 position magnet)
A	1 1 20...4 mA (1 output channel with 1 position magnet)
A	0 2 4...20 mA (2 output channels with 2 position magnets)
A	1 2 20...4 mA (2 output channels with 2 position magnets)

NOTICE

- The number of magnets is limited by the stroke length. The minimum allowed distance between magnets (i.e. front face of one to the front face of the next one) is 75 mm (3 in.)
- Use magnets of the same type for multi-position measurement.

DELIVERY



- Sensor
- 2 mounting clamps up to 1250 mm (50 in.) stroke length + 1 mounting clamp for each 500 mm (20 in.)

Accessories have to be ordered separately.

Manuals, Software & 3D models available at:
www.temposonics.com

UNITED STATES
Temposonics, LLC
Americas & APAC Region
3001 Sheldon Drive
Cary, N.C. 27513
Phone: +1 919 677-0100
E-mail: info.us@temposonics.com

GERMANY
Temposonics
GmbH & Co. KG
EMEA Region & India
Auf dem Schüffel 9
58513 Lüdenscheid
Phone: +49 2351 9587-0
E-mail: info.de@temposonics.com

ITALY
Branch Office
Phone: +39 030 988 3819
E-mail: info.it@temposonics.com

FRANCE
Branch Office
Phone: +33 6 14 060 728
E-mail: info.fr@temposonics.com

UK
Branch Office
Phone: +44 79 21 83 05 86
E-mail: info.uk@temposonics.com

SCANDINAVIA
Branch Office
Phone: +46 70 29 91 281
E-mail: info.sca@temposonics.com

CHINA
Branch Office
Phone: +86 21 3405 7850
E-mail: info.cn@temposonics.com

JAPAN
Branch Office
Phone: +81 3 6416 1063
E-mail: info.jp@temposonics.com

Document Part Number:
551245 Revision H (EN) 10/2024



temposonics.com