

## Product Brief

# MH-Series FLEX

Magnetostrictive Linear Position Sensors



**SIL2**

DEKRA Certificate Number ZP/C010/23

### Overview

- ▶ NEW: SIL2 Capable
- ▶ Linear, absolute measurement
- ▶ Easy in-field installation and replacement
- ▶ Stroke lengths from 500...10,500 mm
- ▶ CANbus and CANbus Safety (SIL2) output

### Typical Applications

- ▶ Aerial work platforms
- ▶ Man-lifts
- ▶ Emergency vehicles
- ▶ Cranes



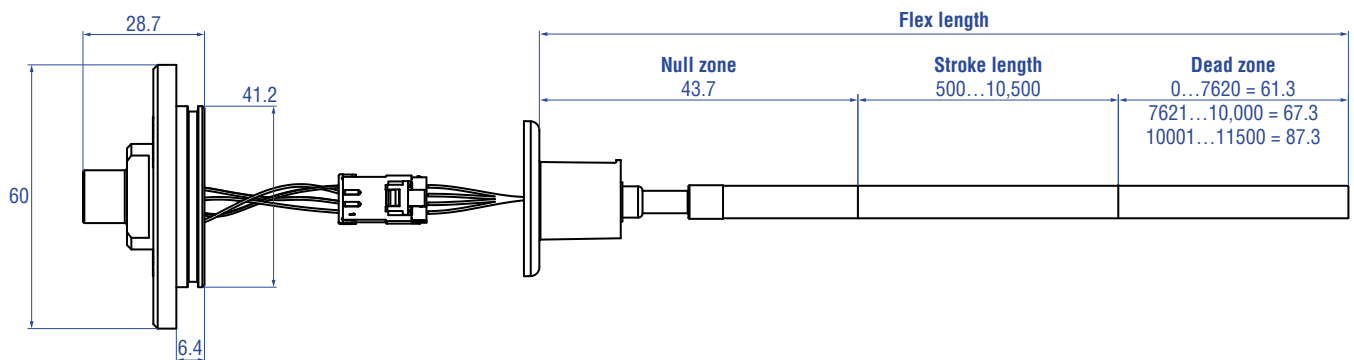
## Features

|                       |  |
|-----------------------|--|
| Measured value        | Position   |
| Output                | CANopen, CANopen Safety (SIL2), J1939, and J1939-76 (SIL2) |
| Linearity             | $\pm 0.1$ mm or $\pm 0.04\%$ (F.S.) (whichever is greater) |
| Repeatability         | $\pm 0.005\%$ (F.S.)                                       |
| Operating Temperature | $-40 \dots +105$ °C  |
| Stroke length         | 500...10,500 mm (500...5,000 mm with optional pipe)        |
| Connection type       | M12 connector (IP69K with mating M12 connector)            |
| Operating voltage     | 12 / 24 VDC (8...32 VDC)                                   |

## Safety Output Options

The CANopen Safety and J1939-76 outputs can be used in applications up to SIL2 and Performance Level d for the safety function "Measurement of position & velocity." The Flexible MH has been certified according to IEC 61508:2010 and ISO 13849-1:2015. For further details around the safety function of this product please consult the safety manual (552177).

## Sensor dimension references



Controlling design dimensions are in millimeters

## Document Part Number:

551586 Revision C (EN) 11/2023

[temposonics.com](https://www.temposonics.com)

### UNITED STATES

Temposonics, LLC  
Phone: +1 919 677-0100  
E-Mail: [info.us@temposonics.com](mailto:info.us@temposonics.com)

### GERMANY

Temposonics GmbH & Co. KG  
Phone: +49 2351 9587-0  
E-Mail: [info.de@temposonics.com](mailto:info.de@temposonics.com)

### ITALY

Branch Office  
Phone: +39 030 988 3819  
E-Mail: [info.it@temposonics.com](mailto:info.it@temposonics.com)

### FRANCE

Branch Office  
Phone: +33 614 060 728  
E-Mail: [info.fr@temposonics.com](mailto:info.fr@temposonics.com)

### UK

Branch Office  
Phone: +44 79 21 83 05 86  
E-Mail: [info.uk@temposonics.com](mailto:info.uk@temposonics.com)

### SCANDINAVIA

Branch Office  
Phone: +46 70 29 91 281  
E-mail: [info.sca@temposonics.com](mailto:info.sca@temposonics.com)

### CHINA

Branch Office  
Phone: +86 21 3405 7850  
E-Mail: [info.cn@temposonics.com](mailto:info.cn@temposonics.com)

### JAPAN

Branch Office  
Phone: +81 3 6416 1063  
E-Mail: [info.jp@temposonics.com](mailto:info.jp@temposonics.com)