

# Temposonics®

Magnetostrictive Linear Position Sensors

## GB-Series SSI Operation Manual



## Table of contents

<b>1. Introduction</b>	<b>3</b>
1.1 Purpose and use of this manual	3
1.2 Used symbols and warnings	3
<b>2. Safety instructions</b>	<b>3</b>
2.1 Intended use	3
2.2 Foreseeable misuse	3
2.3 Installation, commissioning and operation	4
2.4 Safety instructions for use in explosion-hazardous areas	4
2.5 Warranty	4
2.6 Return	4
<b>3. Identification</b>	<b>5</b>
3.1 Order code Temposonics® GB	5
3.2 Nameplate (example)	7
3.3 Approvals	7
3.4 Scope of delivery	7
<b>4. Product description and commissioning</b>	<b>7</b>
4.1 Functionality and system design	7
4.2 Styles and installation of Temposonics® GB-J / GB-K / GB-N / GB-S	8
4.3 Styles and installation of Temposonics® GB-M / GB-T / GB-B	10
4.4 Magnet installation	12
4.5 Change orientation of sensor electronics housing	14
4.6 Replacement of base unit	14
4.7 Electrical connection	15
4.8 Frequently ordered accessories	16
<b>5. Operation</b>	<b>18</b>
5.1 Getting started	18
5.2 Programming and configuration	18
<b>6. Maintenance and troubleshooting</b>	<b>21</b>
6.1 Error conditions, troubleshooting	21
6.2 Maintenance	21
6.3 Repair	21
6.4 List of spare parts	21
6.5 Transport and storage	21
<b>7. Removal from service / dismantling</b>	<b>21</b>
<b>8. Technical data</b>	<b>22</b>
8.1 Technical data GB-J / GB-K / GB-N / GB-S	22
8.2 Technical data GB-M / GB-T	23
<b>9. Appendix</b>	<b>24</b>

## 1. Introduction

### 1.1 Purpose and use of this manual

Before starting the operation of Temposonics® position sensors read this documentation thoroughly and follow the safety information. Keep the manual for future reference!

The content of this technical documentation and of its appendix is intended to provide information on mounting, installation and commissioning by qualified automation personnel <sup>1</sup> or instructed service technicians who are familiar with the project planning and dealing with Temposonics® sensors.

### 1.2 Used symbols and warnings

Warnings are intended for your personal safety and for avoidance of damage to the described product or connected devices. In this documentation, safety information and warnings to avoid dangers that might affect the life and health of operating or service personnel or cause material damage are highlighted by the preceding pictogram, which is defined below.

Symbol	Meaning
<b>NOTICE</b>	This symbol is used to point to situations that may lead to material damage, but not to personal injury.

## 2. Safety instructions

### 2.1 Intended use

This product may be used only for the applications defined under item 1 and only in conjunction with the third-party devices and components recommended or approved by MTS Sensors. As a prerequisite of proper and safe operation, the product requires correct transport, storage, mounting and commissioning and must be operated with utmost care.

- The sensor systems of all Temposonics® series are intended exclusively for measurement tasks encountered in industrial, commercial and laboratory applications. The sensors are considered as system accessories and must be connected to suitable evaluation electronics, e.g. a PLC, IPC, indicator or other electronic control unit.

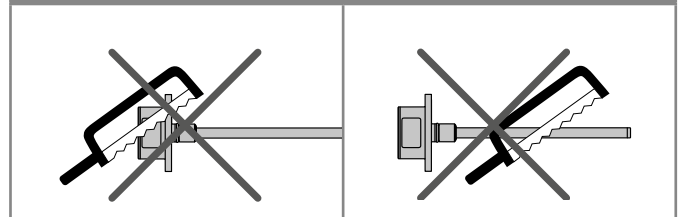
<sup>1/</sup> The term qualified technical personnel characterizes persons who:

- are familiar with the safety concepts of automation technology applicable to the particular project,
- are competent in the field of electromagnetic compatibility (EMC),

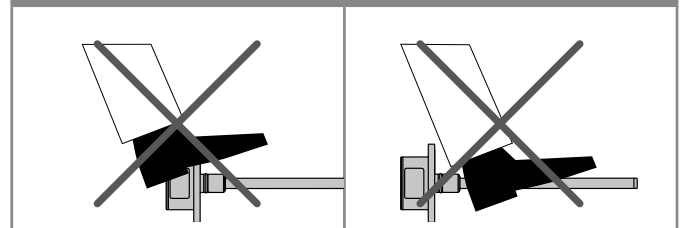
### 2.2 Forseeable misuse

Foreseeable misuse	Consequence
Wrong sensor connection	The sensor will not work properly or can be damaged
Operate the sensor out of the operating temperature range	No signal output The sensor can be damaged
Power supply is out of the defined range	Signal output is wrong / no signal output / the sensor can be damaged
Position measurement is influenced by an external magnetic field	Signal output is wrong
Cables are damaged	Short circuit – the sensor can be destroyed / sensor does not respond
Spacers are missing / installed in wrong order	Error in position measurement
Wrong connection of ground / shield	Signal output is disturbed The electronics can be damaged
Use of a magnet that is not certified by MTS Sensors	Error in position measurement

Do not alter the sensor afterwards.  
→ The sensor might be damaged.



Do not step on the sensor.  
→ The sensor might be damaged.



- have received adequate training for commissioning and service operations
- are familiar with the operation of the device and know the information required for correct operation provided in the product documentation.

### 2.3 Installation, commissioning and operation

The position sensors must be used only in technically safe condition. To maintain this condition and to ensure safe operation, installation, connection and service, work should only be performed by qualified technical personnel.

If danger of injury to persons or of damage to operating equipment is caused by sensor failure or malfunction, additional safety measures such as plausibility checks, limit switches, EMERGENCY STOP systems, protective devices etc. are required. In the event of trouble, shut down the sensor and protect it against accidental operation.

#### **Safety instructions for commissioning**

To maintain the sensor's operability, it is mandatory to follow the instructions given below.

1. Protect the sensor against mechanical damage during installation and operation.
2. Do not open or dismantle the sensor.
3. Connect the sensor very carefully and pay attention to the polarity of connections and power supply.
4. Use only approved power supplies.
5. It is indispensable to ensure that the specified permissible limit values of the sensor for operating voltage, environmental conditions, etc. are met.
6. Check the function of the sensor regularly and provide documentation of the checks.
7. Before applying power, ensure that nobody's safety is jeopardized by starting machines.

### 2.4 Safety instructions for use in explosion-hazardous areas

The sensor is not suitable for operation in explosion-hazardous areas.

### 2.5 Warranty

MTS Sensors grants a warranty period for the Temposonics® position sensors and supplied accessories relating to material defects and faults that occur despite correct use in accordance with the intended application <sup>2</sup>. The MTS Sensors obligation is limited to repair or replacement of any defective part of the unit. No warranty can be provided for defects that are due to improper use or above average stress of the product, as well as for wear parts.

Under no circumstances will MTS Sensors accept liability in the event of offense against the warranty rules, no matter if these have been assured or expected, even in case of fault or negligence of the company. MTS Sensors explicitly excludes any further warranties.

Neither the company's representatives, agents, dealers nor employees are authorized to increase or change the scope of warranty.

### 2.6 Return

For diagnostic purposes, the sensor can be returned to MTS Sensors or a repair facility explicitly authorized by MTS Sensors. Any shipment cost is the responsibility of the sender <sup>2</sup>. For a corresponding form, see chapter "9. Appendix" on page 24.

<sup>2/</sup> See also applicable MTS Sensors terms of sales and delivery on [www.mtssensors.com](http://www.mtssensors.com)

### 3. Identification

#### 3.1 Order code Temposonics® GB

1	2	3	4	5	6	7	8	9	10	11	12	13	14	15	16	17	18	19	20	21	
<b>G</b>	<b>B</b>										<b>1</b>	<b>S</b>									<b>C</b>
<b>a</b>		<b>b</b>	<b>c</b>					<b>d</b>			<b>e</b>	<b>f</b>							<b>g</b>	<b>h</b>	

<b>a</b>	<b>Sensor model</b>
<b>G B</b>	Rod
<b>b</b>	<b>Design</b>
<b>GB with threaded flange</b>	
<b>B</b>	Base unit for threaded flanges »M« and »T« (replacement only)
<b>M</b>	Threaded flange with flat-face, M18×1.5-6g
<b>T</b>	Threaded flange with raised-face, ¾"-16 UNF-3A
<b>GB with pressure fit flange</b>	
<b>J</b>	<b>Housing material stainless steel 1.4305 (AISI 303), rod material stainless steel 1.4301 (AISI 304)</b> Pressure fit flange Ø 21 mm, Ø 12.7 mm rod, 800 bar
<b>K</b>	<b>Housing material stainless steel 1.4305 (AISI 303), rod material stainless steel 1.4306; 1.4307 (AISI 304L)</b> Pressure fit flange Ø 18 mm, Ø 10 mm rod with bushing on rod end
<b>N</b>	<b>Housing material stainless steel 1.4404 (AISI 316L), rod material stainless steel 1.4404 (AISI 316L)<sup>3</sup></b> Pressure fit flange Ø 18 mm, Ø 10 mm rod
<b>S</b>	<b>Housing material stainless steel 1.4305 (AISI 303), rod material stainless steel 1.4306; 1.4307 (AISI 304L)</b> Pressure fit flange Ø 18 mm, Ø 10 mm rod

<b>c</b>	<b>Stroke length</b>
<b>X X X X M</b>	0025...3250 mm
<b>X X X X U</b>	001.0...128.0 in.
<b>Standard stroke length (mm)*</b>	<b>Ordering steps</b>
25... 500 mm	5 mm
500... 750 mm	10 mm
750...1000 mm	25 mm
1000...2500 mm	50 mm
2500...3250 mm	100 mm
<b>Standard stroke length (in.)*</b>	<b>Ordering steps</b>
1... 20 in.	0.2 in.
20... 30 in.	0.5 in.
30... 40 in.	1.0 in.
40...100 in.	2.0 in.
100...128 in.	4.0 in.

3/ The sensor in stainless steel 1.4404 (AISI 316L) is only available with following option:  
**S** (-40...+90 °C / -40...+194 °F)

\*/ Non standard stroke lengths are available; must be encoded in 5 mm / 0.1 in. increments

4/ Encode in meters if using metric stroke length. Encode in feet if using US customary stroke length

<b>d</b>	<b>Connector type</b>
<b>D 8 4</b>	M12 male connector (8 pin) (Note the operating temperature of the connector)
<b>D 7 0</b>	M16 male connector (7 pin) (Note the operating temperature of the connector)
<b>H X X</b>	H01...H10 (1...10 m) <sup>4</sup> XX m PUR cable (part no. 530 052) H03...H33 (3...33 ft) <sup>4</sup> XX ft PUR cable (part no. 530 052) (Note the operating temperature of the cable)
<b>T X X</b>	T01...T10 (1...10 m) <sup>4</sup> XX m Teflon® cable (part no. 530 112) T03...T33 (3...33 ft) <sup>4</sup> XX ft Teflon® cable (part no. 530 112)
<b>V X X</b>	V01...V10 (1...10 m) <sup>4</sup> XX m Silicone cable (part no. 530 113) V03...V33 (3...33 ft) <sup>4</sup> XX ft Silicone cable (part no. 530 113)

<b>e</b>	<b>Operating voltage</b>
<b>1</b>	+24 VDC (-15 / +20 %)

**f g h** See next page

Trademarks and trade names mentioned in this document are those of their respective owners.

<b>f</b>	<b>Output</b>
<b>S (14) (15) (16) (17) (18) (19)</b> = Synchronous Serial Interface	
<b>Data length (box no. 14)</b>	
<b>1</b>	25 bit
<b>2</b>	24 bit
<b>Output format (box no. 15)</b>	
<b>B</b>	Binary
<b>G</b>	Gray
<b>Resolution (box no. 16)</b>	
<b>1</b>	0.005 mm
<b>2</b>	0.01 mm
<b>3</b>	0.05 mm
<b>4</b>	0.1 mm
<b>5</b>	0.02 mm
<b>Filtering performance (box no. 17)</b>	
<b>1</b>	No filter
<b>2</b>	Average filter 2
<b>3</b>	Average filter 4
<b>4</b>	Average filter 8
<b>Performance (box no. 18, 19)</b>	
<b>0</b>	<b>0</b> Measuring direction forward, asynchronous measurement
<b>0</b>	<b>1</b> Measuring direction reverse, asynchronous measurement
<b>0</b>	<b>2</b> Measuring direction forward, synchronous measurement
<b>0</b>	<b>3</b> Measuring direction reverse, synchronous measurement
<b>g</b>	<b>Operating temperature</b>
<b>H</b>	-40...+100 °C (-40...+212 °F)
<b>S</b>	-40...+90 °C (-40...+194 °F)
<b>h</b>	<b>Programming</b>
<b>C</b>	Via cable

### 3.2 Nameplate (example)

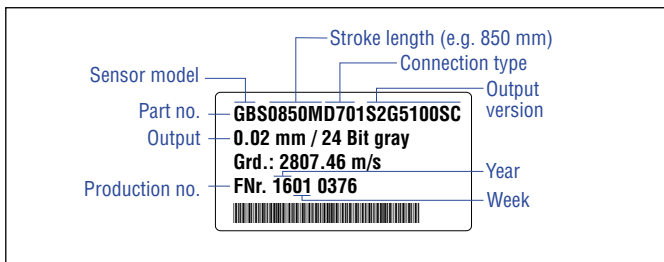


Fig. 1: Example of a nameplate of a GB-S sensor

### 3.3 Approvals

CE certification

### 3.4 Scope of delivery

#### GB-J / GB-K / GB-N / GB-S (rod sensor with pressure fit flange):

- Sensor
- O-ring
- Back-up ring

#### GB-M / GB-T (rod sensor with threaded flange):

- Sensor
- O-ring

#### GB-B (base unit for rod sensor with threaded flange):

- Sensor

## 4. Product description and commissioning

### 4.1 Functionality and system design

#### Product designation

- Position sensor Temposonics® GB-Series

#### Sensor model

- Temposonics® GB-J, GB-K, GB-N, GB-S, GB-M, GB-T (sensor rod)
- Stroke length 25...3250 mm (1...128 in.)

#### Output signal

- SSI

#### Application

Temposonics® position sensors are used for measurement and conversion of the length (position) variable in the fields of automated systems and mechanical engineering.

#### Principle of operation and system construction

The absolute, linear position sensors provided by MTS Sensors rely on the company's proprietary Temposonics® magnetostrictive technology, which can determine position with a high level of precision and robustness. Each Temposonics® position sensor consists of a ferromagnetic waveguide, a position magnet, a strain pulse converter and supporting electronics. The magnet, connected to the object in motion in the application, generates a magnetic field at its location on the waveguide. A short current pulse is applied to the waveguide. This creates a momentary radial magnetic field and torsional strain on the waveguide. The momentary interaction of the magnetic fields releases a torsional strain pulse that propagates the length of the waveguide. When the ultrasonic wave reaches the end of the waveguide it is converted into an electrical signal. Since the speed of the ultrasonic wave in the waveguide is precisely known, the time required to receive the return signal can be converted into a linear position measurement with both high accuracy and repeatability.

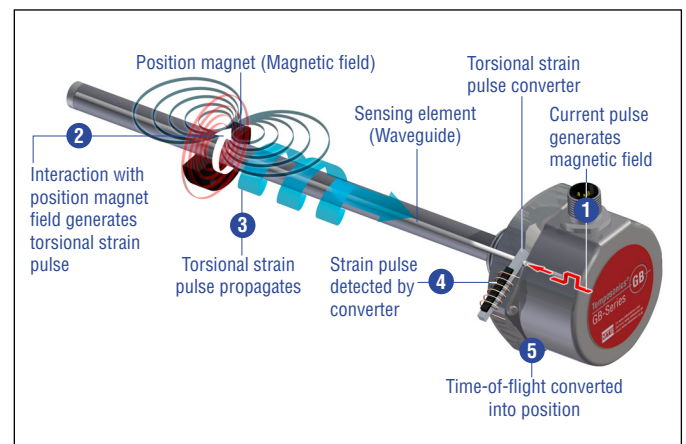


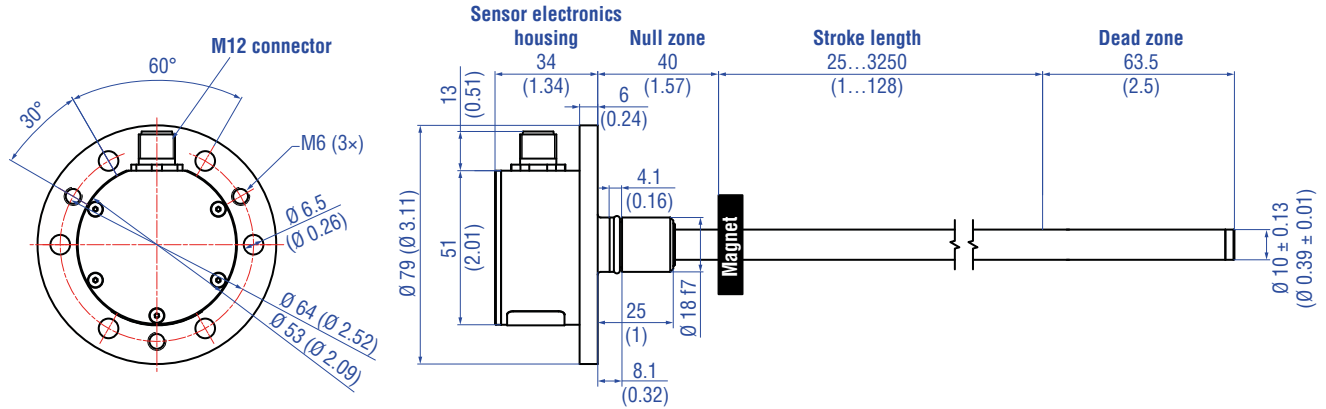
Fig. 2: Time-of-flight based magnetostrictive position sensing principle

#### Modular mechanical and electronic construction

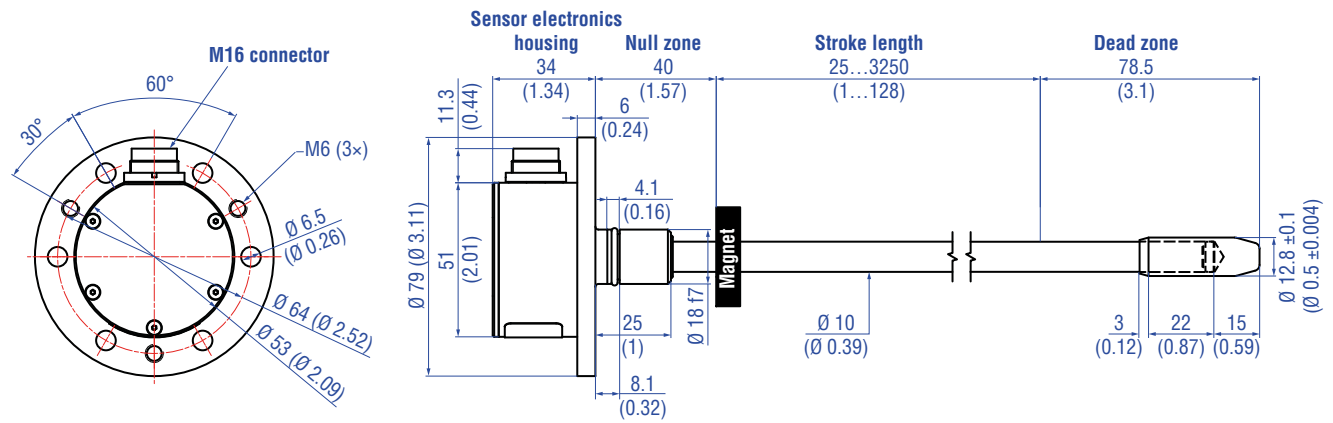
- The sensor rod protects the inner sensor element.
- The sensor electronics housing, a rugged stainless steel construction, contains the complete electronic interface with active signal conditioning.
- The external position magnet is a permanent magnet. Mounted on the mobile machine part, it travels along the sensor rod and triggers the measurement through the sensor rod wall.
- The sensor can be directly connected to a control system. Its electronics generates a position signal output proportional to the start and end of the active measuring range.

4.2 Styles and installation of Tempsonics® GB-J / GB-K / GB-N / GB-S (rod sensor with pressure fit flange)

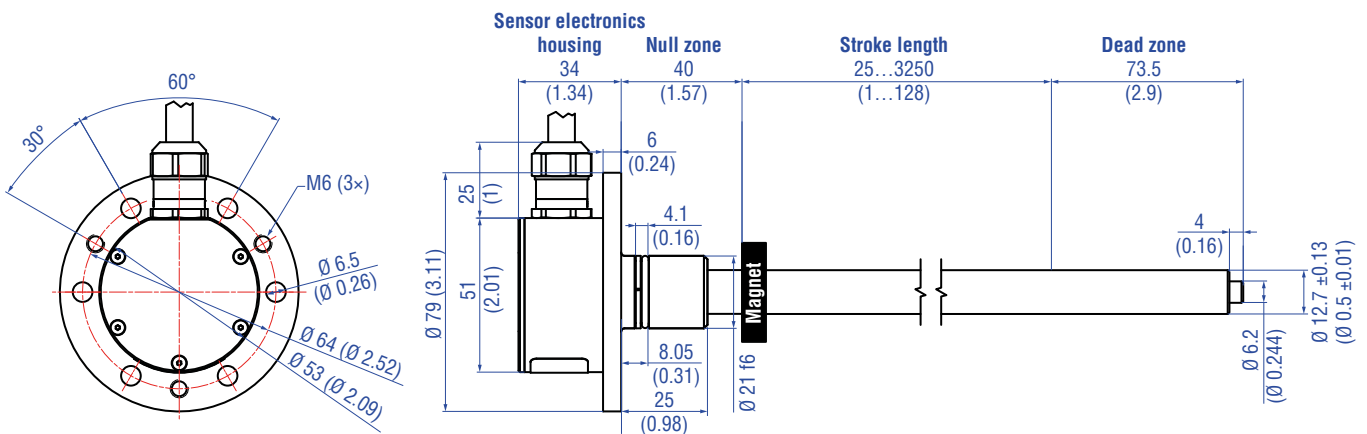
GB-N / GB-S, example: With M12 connector



GB-K, example: With M16 connector



GB-J, example: With cable outlet



Controlling design dimensions are in millimeters and measurements in ( ) are in inches

Fig. 3: Tempsonics® GB-N / GB-S / GB-K / GB-J



### Installation of GB with pressure fit flange

Mount the sensor via pressure fit flange through the bores in the sensor electronics housing with 6 machine screws M6×16 A2-70 (ISO 4762).

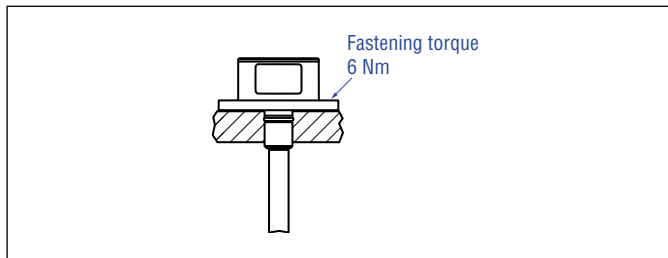


Fig. 4: Installation of GB with pressure fit flange »S« & »N«

### Installation of a rod-style sensor in a hydraulic cylinder

The rod-style version has been developed for direct stroke measurement in a hydraulic cylinder. Mount the sensor through the bores in the sensor electronics housing with 6 machine screws M6×16 A2-70 (ISO 4762).

- Mounted on the face of the piston, the position magnet travels over the rod without touching it and indicates the exact position through the rod wall – independent of the hydraulic fluid.
- The pressure resistant sensor rod is installed into a bore in the piston rod.

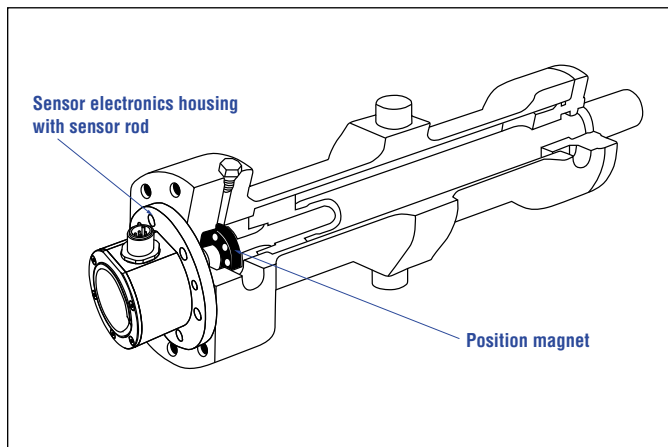


Fig. 5: Sensor in cylinder

### Hydraulics sealing

Seal the flange contact surface via O-ring in the undercut as shown in Fig. 6.

For pressure fit flange Ø18 f7 (GB-K / GB-N / GB-S):

O-ring 15 × 2 mm (0.59 × 0.02 in.) (part no. 560 853)

For pressure fit flange Ø21 f6 (GB-J):

O-Ring 17 × 2 mm (0.67 × 0.02 in.) (part no. 561 438)

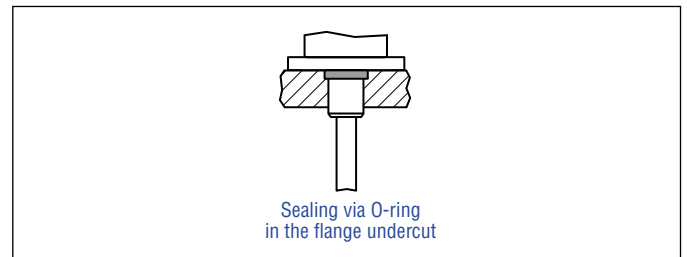
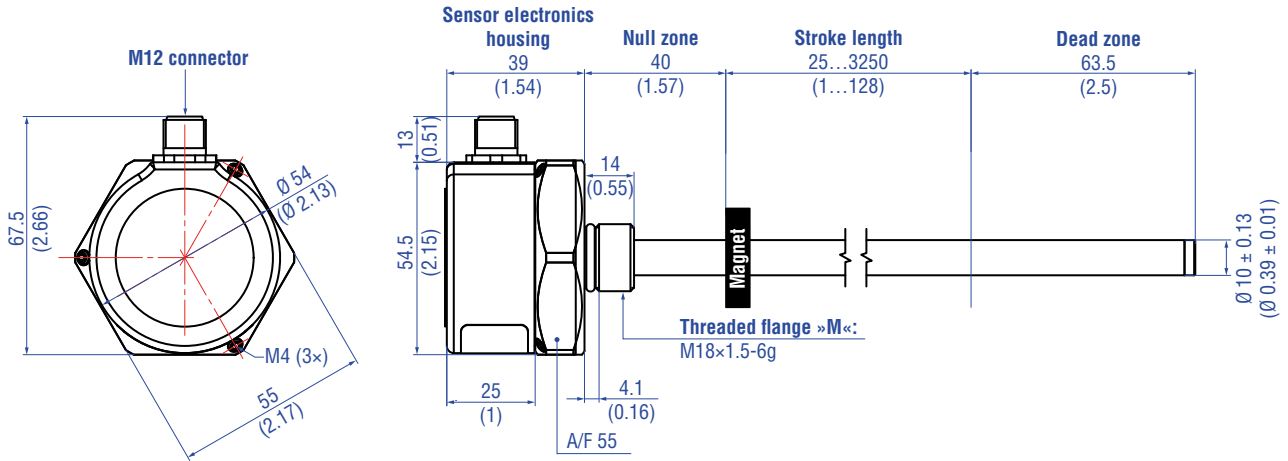


Fig. 6: Sealing

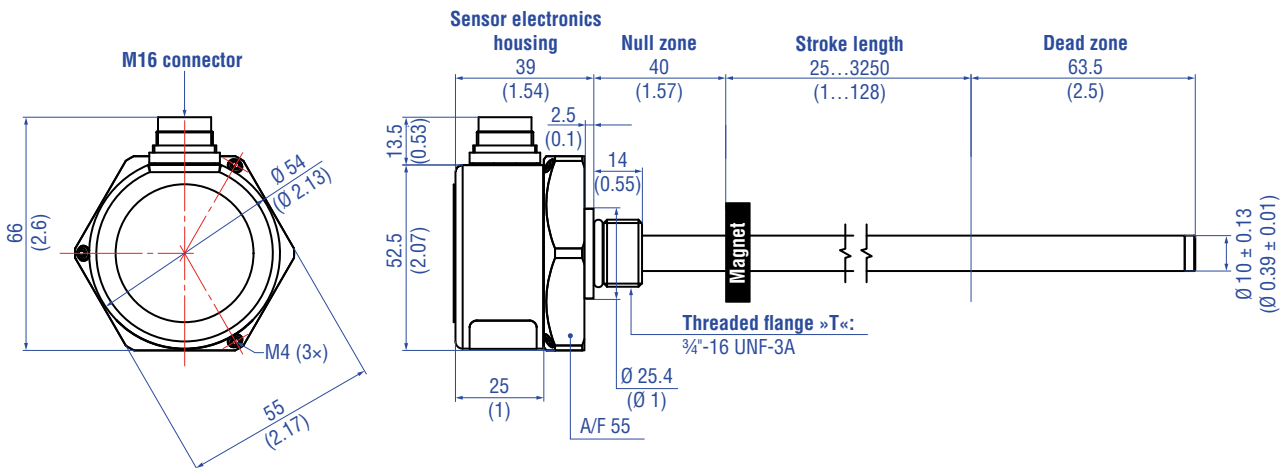
- Note the fastening torque of machine screws of 6 Nm.
- Seat the flange contact surface completely on the cylinder mounting surface.
- The cylinder manufacturer determines the pressure-resistant gasket (copper gasket, O-ring, etc.).
- The position magnet should not grind on the sensor rod.
- The piston rod drilling (GB-N / GB-S:  $\geq \varnothing 13$  mm ( $\geq \varnothing 0.52$  in.), GB-J / GB-K:  $\geq \varnothing 16$  mm ( $\geq \varnothing 0.63$  in.)) depends on the pressure and piston speed.
- Adhere to the information relating to operating pressure.
- Protect the sensor rod against wear.

4.3 Styles and installation of Tempsonics® GB-M / GB-T / GB-B (rod sensor with threaded flange)

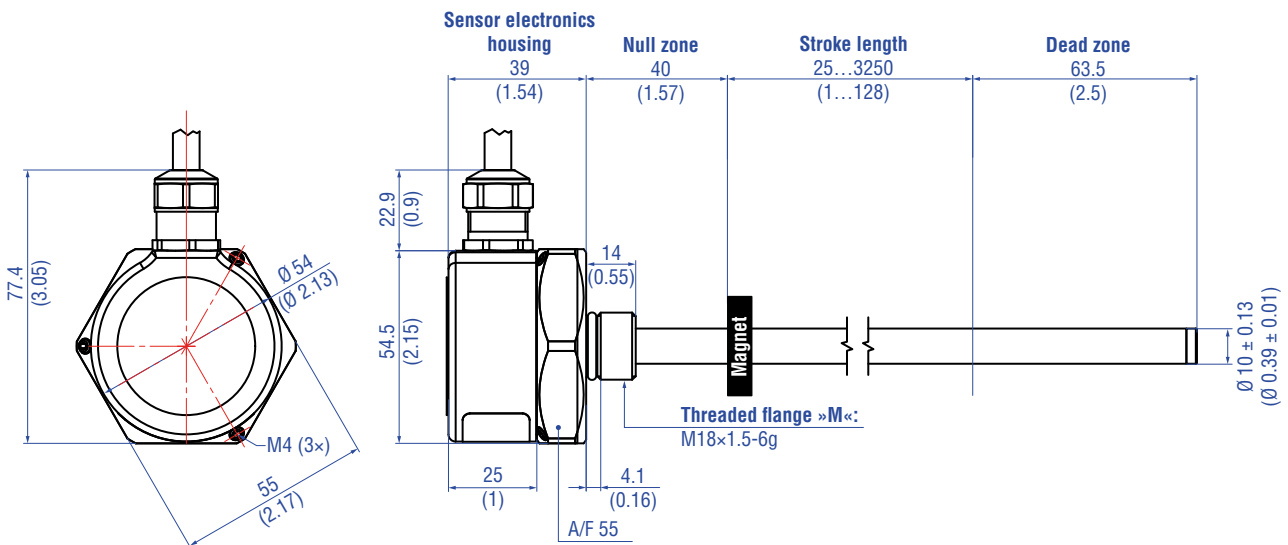
M12 connector (Example: With flat-faced flange)



M16 connector (Example: With raised-faced flange)



Cable outlet (Example: With flat-faced flange)



Controlling design dimensions are in millimeters and measurements in ( ) are in inches  
Unless otherwise stated, apply to the general tolerances according to DIN ISO 2768-m

Fig. 7: Tempsonics® GB-M / GB-T

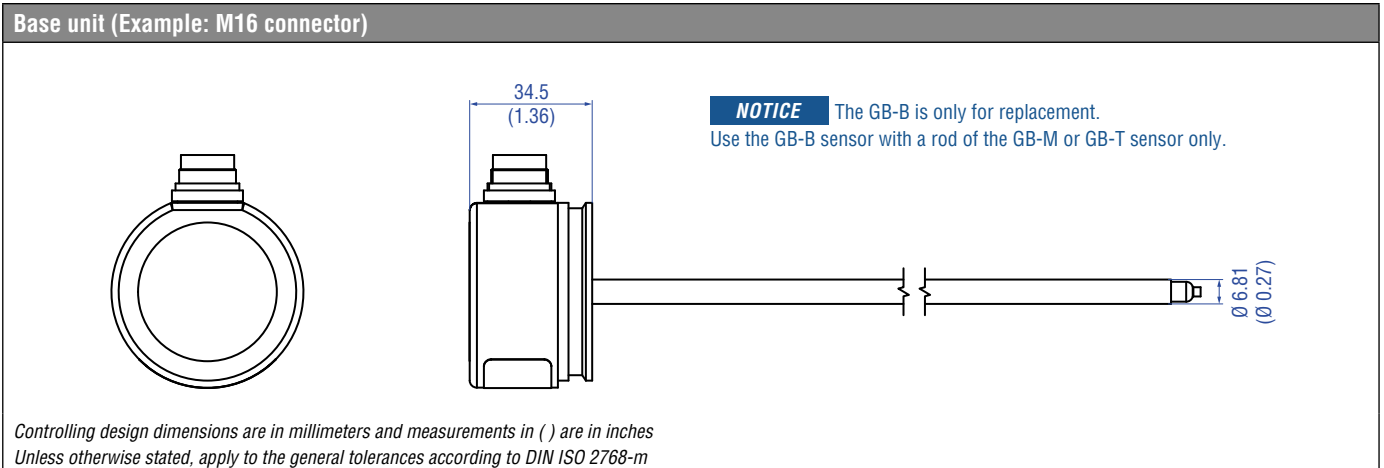


Fig. 8: Temposonics® GB-B

### Installation of GB with threaded flange »M« & »T«

Fix the sensor rod via threaded flange M18×1.5-6g or ¾"-16 UNF-3A.

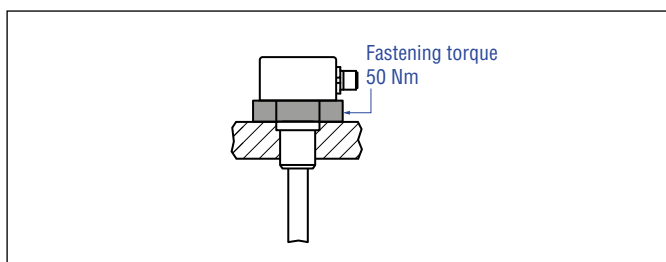


Fig. 9: Mounting example of threaded flange »M« & »T«

### Installation of a rod-style sensor in a hydraulic cylinder

The rod-style version has been developed for direct stroke measurement in a hydraulic cylinder. Mount the sensor via threaded flange.

- Mounted on the face of the piston, the position magnet travels over the rod without touching it and indicates the exact position through the rod wall – independent of the hydraulic fluid.
- The pressure resistant sensor rod is installed into a bore in the piston rod.
- The base unit is mounted by means of only three screws. It is the only part that needs to be replaced if servicing is required, i.e. the hydraulic circuit remains closed. For more information see chapter "4.6 Replacement of base unit" on page 14.

#### NOTICE

The orientation of the sensor electronics housing respectively of the electrical connection of sensor models GB-M and GB-T can be changed after mounting. For more information see chapter "4.5 Change orientation of sensor electronics housing" on page 14.

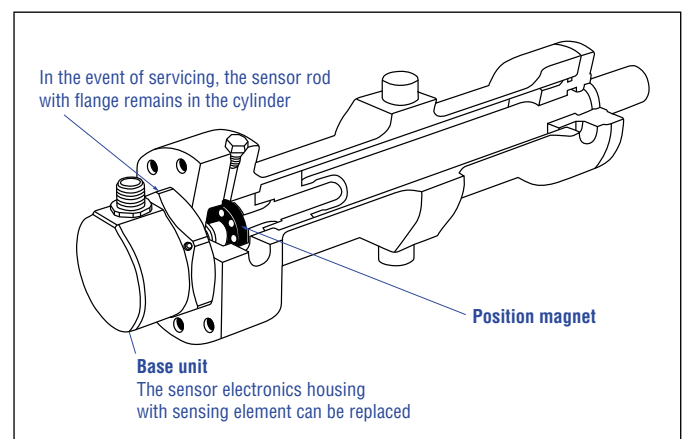


Fig. 10: Sensor in cylinder

### Hydraulics sealing

There are two ways for sealing the flange contact surface (Fig. 11):

1. A sealing by using an O-ring (e.g. 22.4 × 2.65 mm (0.88 × 0.1 in.)) in a cylinder end cap groove.
- R** 2. A sealing via an O-ring in the undercut.  
For threaded flange (¾"-16 UNF-3A) (GB-T):  
O-ring 16.4 × 2.2 mm (0.65 × 0.09 in.) (part no. 560 315)  
For threaded flange (M18×1.5-6g) (GB-T):  
O-ring 15.3 × 2.2 mm (0.60 × 0.09 in.) (part no. 401 133)

In the case of threaded flange M18×1.5-6g, a screw hole based on ISO 6149-1 (Fig. 12) must be provided. See ISO 6149-1 for further information.

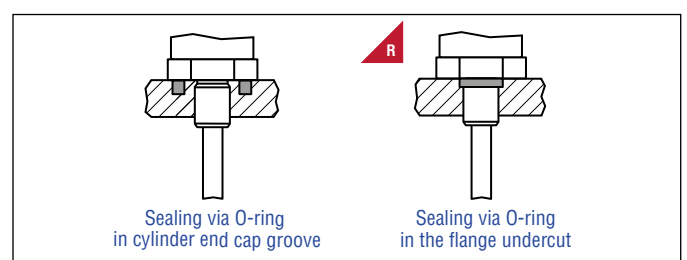


Fig. 11: Possibilities of sealing



- Note the fastening torque of 50 Nm.
- Seat the flange contact surface completely on the cylinder mounting surface.
- The cylinder manufacturer determines the pressure-resistant gasket (copper gasket, O-ring, etc.).
- The position magnet should not grind on the sensor rod.
- The piston rod drilling ( $\geq \varnothing 13 \text{ mm}$  ( $\geq \varnothing 0.52 \text{ in.}$ )) depends on the pressure and piston speed.
- Adhere to the information relating to operating pressure.
- Protect the sensor rod against wear.

**Notice for metric threaded flange**

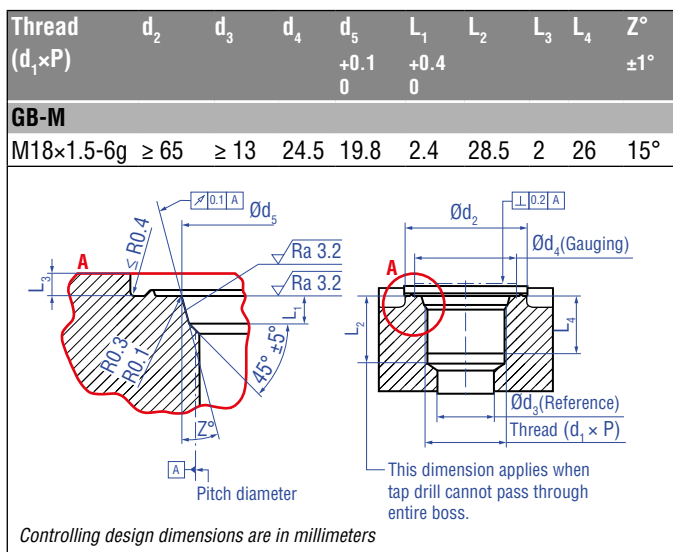


Fig. 12: Notice for threaded flange M18x1.5-6g based on DIN ISO 6149-1

Controlling design dimensions are in millimeters and measurements in ( ) are in inches

**4.4 Magnet installation**

**Typical use of magnets**



Magnet	Benefits
<b>Ring magnets</b> 	<ul style="list-style-type: none"> <li>• Rotationally symmetrical magnetic field</li> </ul>
<b>U-magnets</b> 	<ul style="list-style-type: none"> <li>• Height tolerances can be compensated</li> </ul>

Fig. 13: Typical use of ring magnets and U-magnets

**Mounting ring magnets and U-magnets**

Install the magnet using non-magnetic material for mounting device, screws, spacers etc.. The magnet must not grind on the sensor rod. Alignment errors are compensated via the air gap.

- Permissible surface pressure: Max. 40 N/mm<sup>2</sup>
- Fastening torque for M4 screws: 1 Nm; use washer, if necessary
- Minimum distance between position magnet and any magnetic material has to be 15 mm (0.6 in.) (Fig. 15).
- If no other option exists and magnetic material is used, observe the specified dimensions (Fig. 15).

**NOTICE**

Mount ring magnets and U-magnets concentrically.  
Do not exceed the maximum acceptable gap.

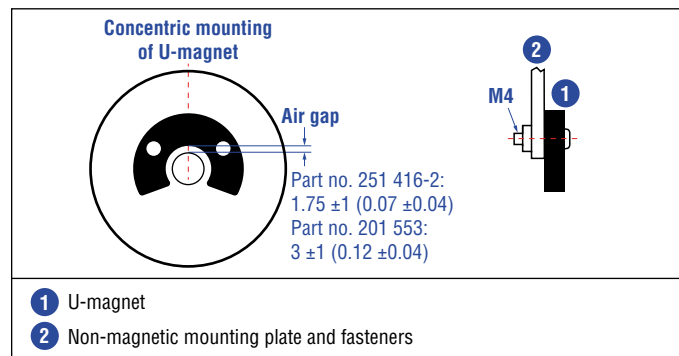


Fig. 14: Mounting of U-magnet, part no. 251 416-2

### Magnet mounting with magnetic material

When using magnetic material the dimensions of Fig. 15 must be observed.

- A.** If the position magnet aligns with the drilled piston rod
- B.** If the position magnet is set further into the drilled piston rod, install another non-magnetic spacer (e.g. part no. 400 633) above the magnet.

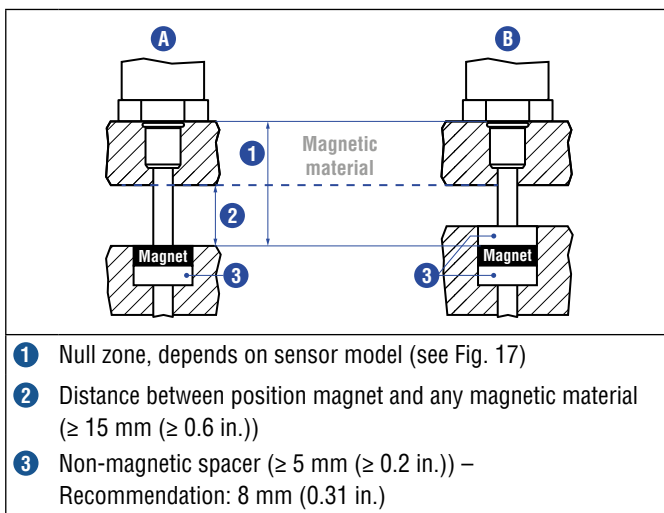


Fig. 15: Installation with magnetic material

### Sensors with stroke lengths $\geq 1$ meter (3.3 ft.)

Support horizontally installed sensors with a stroke length from 1 meter mechanically at the rod end. Without the use of a support, rod and position magnet may be damaged. A false measurement result is also possible. Longer rods require evenly distributed mechanical support over the entire length (e.g. part no. 561 481). Use an U-magnet (Fig. 16) for measurement.

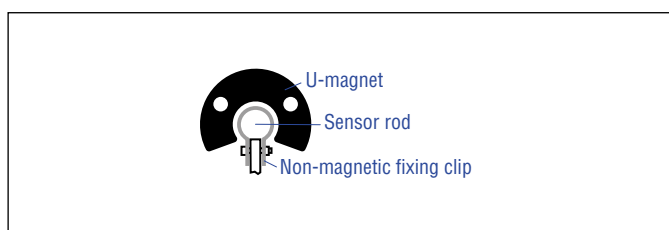


Fig. 16: Example of sensor support

### Active measuring range

The technical data of each sensor is checked as well as documented and the active stroke length (useful electrical stroke) with its start and end position is adjusted during final inspection and testing (Fig. 17). To ensure that the entire measuring range can be used electrically, the position magnet must be mounted mechanically as follows:

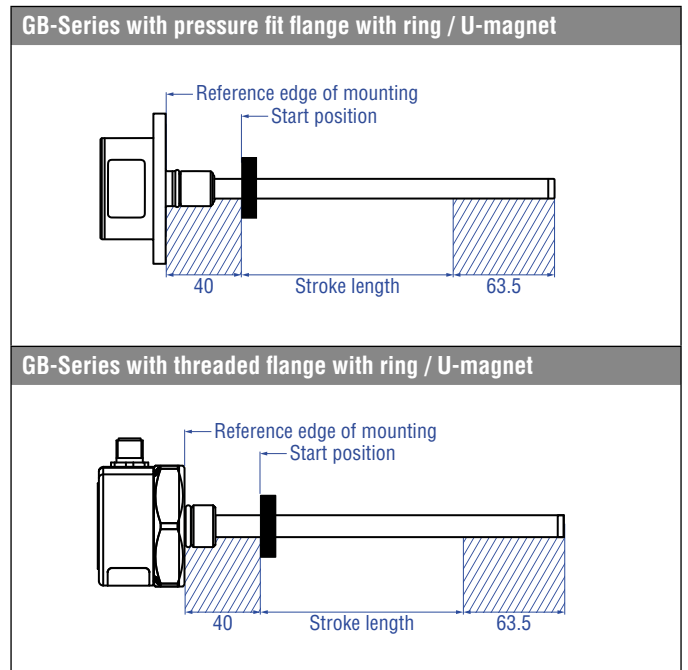


Fig. 17: Active measuring range

### NOTICE

On all sensors, the areas left and right of the active stroke length are provided for null and dead zone. These zones should not be used for measurement, however the active stroke length can be exceeded.

#### 4.5 Change orientation of sensor electronics housing

The orientation of the sensor electronics housing respectively of the electrical connection of sensor models GB-M and GB-T can be changed after mounting. Follow the instructions in Fig. 18.

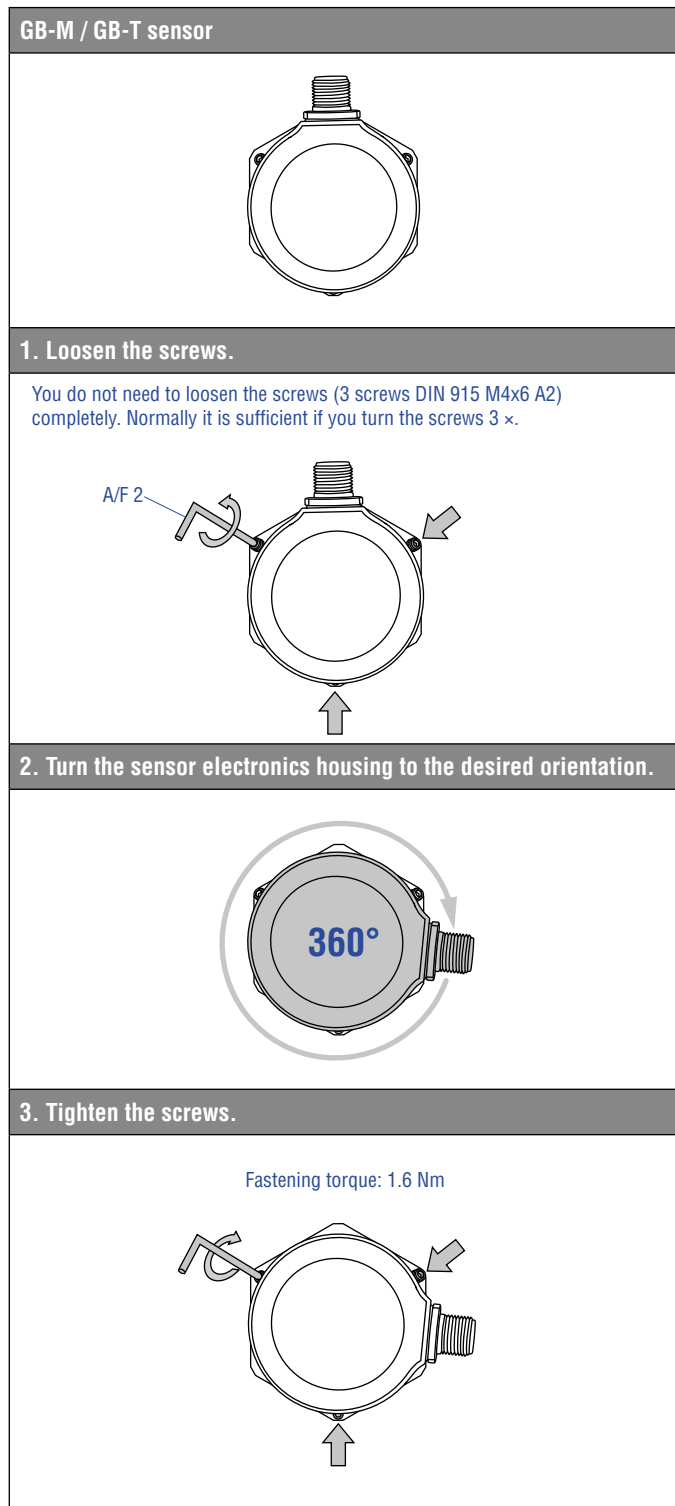


Fig. 18: Align sensor electronics housing respectively electrical connection of GB-M / GB-T

#### 4.6 Replacement of base unit

The base unit of the sensor models GB-M and GB-T is replaceable as shown in Fig. 19. The sensor can be replaced without interrupting the hydraulic circuit.

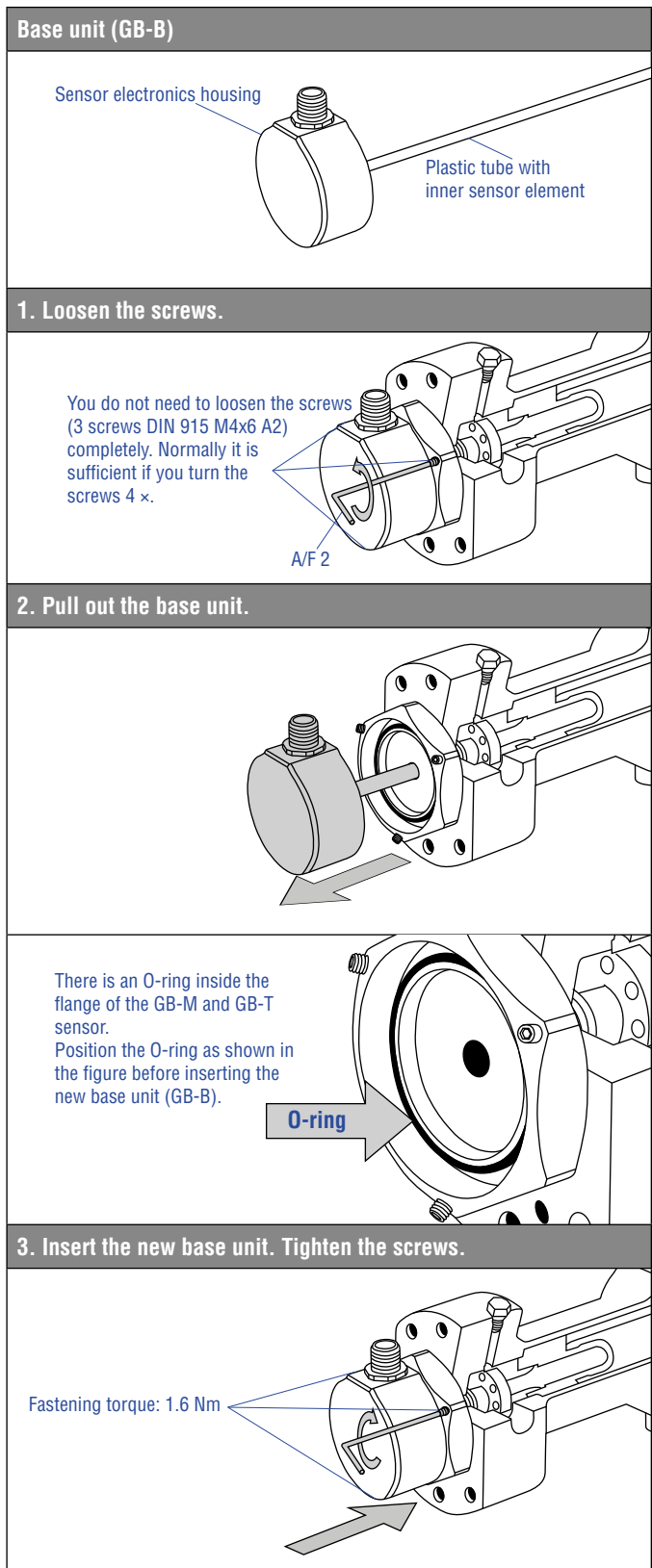


Fig. 19: Replacement of the base unit (GB-B)

#### 4.7 Electrical connection

Placement of installation and cabling have decisive influence on the sensor's electromagnetic compatibility (EMC). Hence correct installation of this active electronic system and the EMC of the entire system must be ensured by using suitable metal connectors, shielded cables and grounding. Overvoltages or faulty connections can damage the sensor electronics despite protection against wrong polarity.

#### NOTICE

- Do not mount the sensors in the area of strong magnetic or electric noise fields.
- Never connect / disconnect the sensor when voltage is applied.

#### Instruction for connection

- Use low-resistance twisted pair and shielded cables. Connect the shield to ground externally via the controller equipment.
- Keep control and signal leads separate from power cables and sufficiently far away from motor cables, frequency inverters, valve lines, relays, etc..
- Use only metal connectors and connect the shielding to the connector housing.
- Keep the connection surface at both shielding ends as large as possible. Connect the cable clamps to function as a ground.
- Keep all non-shielded leads as short as possible.
- Keep the ground connections short and with a large cross section. Avoid ground loops.
- With potential differences between machine and electronics earth connections, no compensating currents are allowed to flow across the cable shielding.  
Recommendation: Install potential compensating leads with large cross section, or use cables with separate double shielding, and connect only one end of the shield.
- Use only stabilized power supplies and make sure that the specified connecting values are met.

#### Grounding of rod sensors

Connect the sensor electronics housing to the machine ground via pressure fit flange respectively via threaded flange.

#### Connector wiring

Connect the sensor directly to the control system, indicator or other evaluating systems as follows:


D84		
Signal + power supply		
M12 male connector (A-coded)	Pin	Function
 <p>View on sensor</p>	1	Clock (+)
	2	Clock (-)
	3	Data (+)
	4	Data (-)
	5	Not connected
	6	Not connected
	7	+24 VDC (-15 / +20 %)
	8	DC Ground (0 V)

Fig. 20: Connector wiring D84 (M12)


D70		
Signal + power supply		
M16 male connector	Pin	Funktion
 <p>View on sensor</p>	1	Data (-)
	2	Data (+)
	3	Clock (+)
	4	Clock (-)
	5	+24 VDC (-15 / +20 %)
	6	DC Ground (0 V)
	7	Not connected

Fig. 21: Connector wiring D70 (M16)

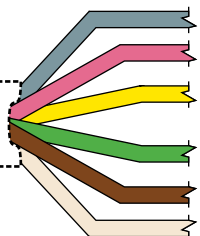
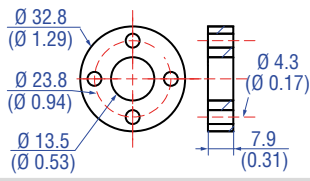
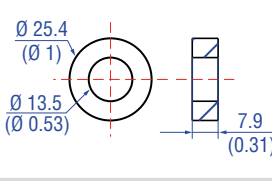
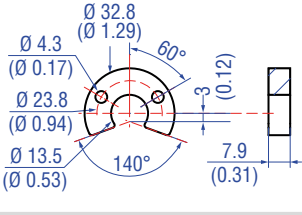
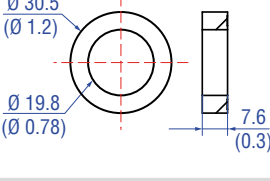
GB with cable outlet (HXX / TXX / VXX)		
Signal + power supply		
Cable	Color	Function
	GY	Data (-)
	PK	Data (+)
	YE	Clock (+)
	GN	Clock (-)
	BN	+24 VDC (-15 / +20 %)
	WH	DC Ground (0 V)

Fig. 22: Connector wiring cable outlet

**4.8 Frequently ordered accessories** – Additional options available in our [Accessories Guide](#) 551 444

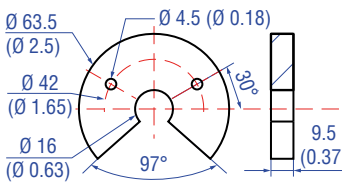
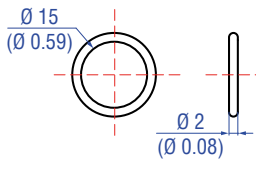
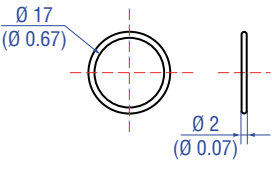
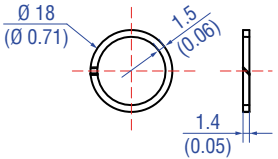
**Position magnets**

			
<p><b>Ring magnet OD33</b> Part no. 201 542-2</p> <p>Material: PA ferrite GF20 Weight: Approx. 14 g Surface pressure: Max. 40 N/mm<sup>2</sup> Fastening torque for M4 screws: 1 Nm Operating temperature: -40...+105 °C (-40...+221 °F)</p>	<p><b>Ring magnet OD25.4</b> Part no. 400 533</p> <p>Material: PA ferrite Weight: Approx. 10 g Surface pressure: Max. 40 N/mm<sup>2</sup> Operating temperature: -40...+105 °C (-40...+221 °F)</p>	<p><b>U-magnet OD33</b> Part no. 251 416-2</p> <p>Material: PA ferrite GF20 Weight: Approx. 11 g Surface pressure: Max. 40 N/mm<sup>2</sup> Fastening torque for M4 screws: 1 Nm Operating temperature: -40...+105 °C (-40...+221 °F)</p>	<p><b>Ring magnet</b> Part no. 402 316</p> <p>Material: PA ferrite coated Weight: Approx. 13 g Surface pressure: Max. 20 N/mm<sup>2</sup> Operating temperature: -40...+100 °C (-40...+212 °F)</p>

**Position magnet**

**O-rings**

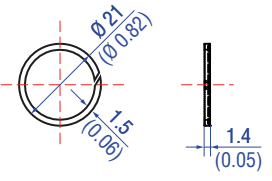
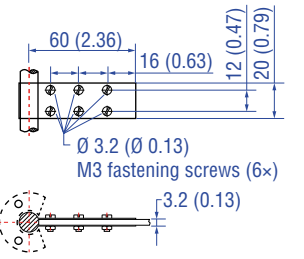
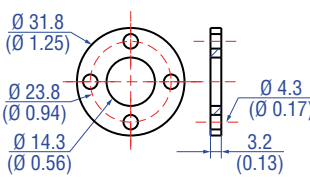
**Back-up ring**

			
<p><b>U-magnet OD63.5</b> Part no. 201 553</p> <p>Material: PA 66-GF30, magnets compound-filled Weight: Approx. 26 g Surface pressure: 20 N/mm<sup>2</sup> Fastening torque for M4 screws: 1 Nm Operating temperature: -40...+75 °C (-40...+167 °F)</p>	<p><b>O-ring for pressure fit flange Ø 18 mm</b> Part no. 560 853</p> <p>Material: Fluoroelastomer Durometer: 75 Shore A</p>	<p><b>O-ring for pressure fit flange Ø 21 mm</b> Part no. 561 438</p> <p>Material: FKM Durometer: 80 Shore A Operating temperature: -18...+200 °C (-0.4...+392 °F)</p>	<p><b>Back-up ring for pressure fit flange Ø 18 mm</b> Part no. 561 115</p> <p>Material: PTFE + 60 % bronze</p>

**Back-up ring**

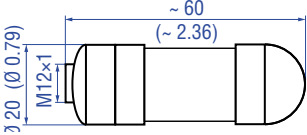
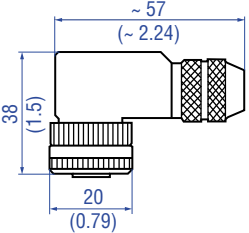
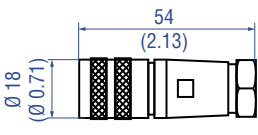
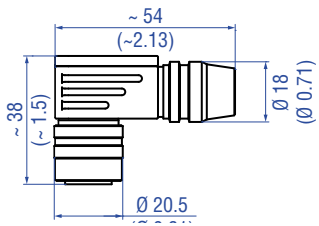
**Optional installation hardware**

**Magnet spacer**

		
<p><b>Back-up ring for pressure fit flange Ø 21 mm</b> Part no. 561 439</p> <p>Material: PTFE</p>	<p><b>Fixing clip for rod with Ø 10 mm</b> Part no. 561 481</p> <p>Application: Used to secure sensor rods (Ø 10 mm (Ø 0.39 in.)) when using an U-magnet or block magnet Material: Brass, non-magnetic</p>	<p><b>Magnet spacer</b> Part no. 400 633</p> <p>Material: Aluminum Weight: Approx. 5 g Surface pressure: Max. 20 N/mm<sup>2</sup> Fastening torque for M4 screws: 1 Nm</p>

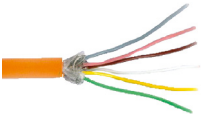
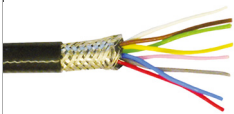




Cable connectors <sup>5</sup>

			
<p><b>M12 A-coded female connector (8 pin), straight</b> Part no. 370 694</p>	<p><b>M12 A-coded female connector (8 pin), angled</b> Part no. 370 699</p>	<p><b>M16 female connector (7 pin), straight</b> Part no. 370 624</p>	<p><b>M16 female connector (7 pin), angled</b> Part no. 560 779</p>
<p>Housing: GD-ZnAL Termination: Screw Contact insert: CuZn Cable Ø: 4...9 mm (0.16...0.35 in.) Wire: 0.75 mm<sup>2</sup> Operating temperature: -25...+90 °C (-13...+194 °F) Ingress protection: IP67 (correctly fitted) Fastening torque: 0.6 Nm</p>	<p>Housing: GD-ZnAL Termination: Screw Contact insert: CuZn Cable Ø: 6...8 mm (0.24...0.31 in.) Wire: 0.5 mm<sup>2</sup> Operating temperature: -25...+85 °C (-13...+185 °F) Ingress protection: IP67 (correctly fitted) Fastening torque: 0.6 Nm</p>	<p>Material: Zinc nickel plated Termination: Solder Contact insert: Silver plated Cable clamp: PG9 Cable Ø: 6...8 mm (0.24...0.31 in.) Operating temperature: -40...+100 °C (-40...+212 °F) Ingress protection: IP65 / IP67 (correctly fitted) Fastening torque: 0.7 Nm</p>	<p>Material: Zinc nickel plated Termination: Solder Contact insert: Silver plated Cable Ø: 6...8 mm (0.24...0.31 in.) Wire: 0.75 mm<sup>2</sup> (20 AWG) Operating temperature: -40...+95 °C (-40...+203 °F) Ingress protection: IP67 (correctly fitted) Fastening torque: 0.5 Nm</p>

Cables

Programming tool

			
<p><b>PUR cable</b> Part no. 530 052</p>	<p><b>Teflon® cable</b> Part no. 530 112</p>	<p><b>Silicone cable</b> Part no. 530 113</p>	<p><b>Programming kit</b> Part no. 254 590</p>
<p>Material: PUR jacket; orange Features: Twisted pair, shielded, highly flexible Cable Ø: 6.4 mm (0.25 in.) Cross section: 3 × 2 × 0.25 mm<sup>2</sup> Bending radius: 5 × Ø (fixed insulation) Operating temperature:</p>	<p>Material: Teflon® jacket; black Features: Twisted pair, shielded, flexible Cable Ø: 7.6 mm (0.3 in.) Cross section: 4 × 2 × 0.25 mm<sup>2</sup> Bending radius: 8 – 10 × Ø (fixed installation) Operating temperature: -100...+180 °C (-148...+356 °F)</p>	<p>Material: Silicone jacket; red Features: Twisted pair, shielded, highly flexible Cable Ø: 7.2 mm (0.28 in.) Cross section: 3 × 2 × 0.25 mm<sup>2</sup> Bending radius: 5 × Ø (fixed installation) Operating temperature: -50...+180 °C (-58...+356 °F)</p>	<p>Kit includes: 1 × interface converter box, 1 × power supply 1 × cable (60 cm) with M12 female connector (8 pin), straight – D-sub female connector (9 pin), straight 1 × cable (60 cm) with M16 female connector (7 pin), straight – D-sub female connector (9 pin), straight 1 × cable (60 cm) with 6 × terminal clamp – D-sub female connector (9 pin), straight 1 × USB cable</p> <p>Software is available at: <a href="http://www.mtsensors.com">www.mtsensors.com</a></p>

## 5. Operation

### 5.1 Getting started

The sensor is factory-set to its order sizes and adjusted, i.e. the distance between magnet and flange is specified in resolution steps.

Example: SSI value 4000 at the start of measuring range 40 mm with a resolution of 10 µm

**NOTICE** If necessary, the SSI sensors can be re-adjusted using the service tool described below.

#### NOTICE1

##### Observe during commissioning

1. Before initial switch-on, check carefully if the sensor has been connected correctly.
2. Position the magnet in the measuring range of the sensor during first commissioning and after replacement of the magnet.
3. Ensure that the sensor control system cannot react in an uncontrolled way when switching on.
4. Ensure that the sensor is ready and in operation mode after switching on.
5. Check the pre-set span start and end values of the measuring range (Fig. 17) and correct them via the customer's control system if necessary, or via the MTS Sensors service tool. The operation of the service tool is described in detail on the following pages.

### 5.2 Programming and configuration

#### SSI interface

The interface of Temposonics® position sensors corresponds to SSI industry standard for absolute encoders. Its displacement value is encoded in a 24 / 25 bit binary or gray format and transmitted RS422 compatible via 4 wires – independent of data width of the code (resolution).

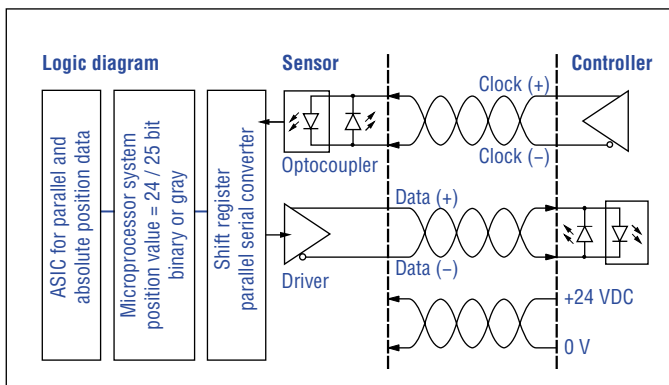


Fig. 23: Schematic connection

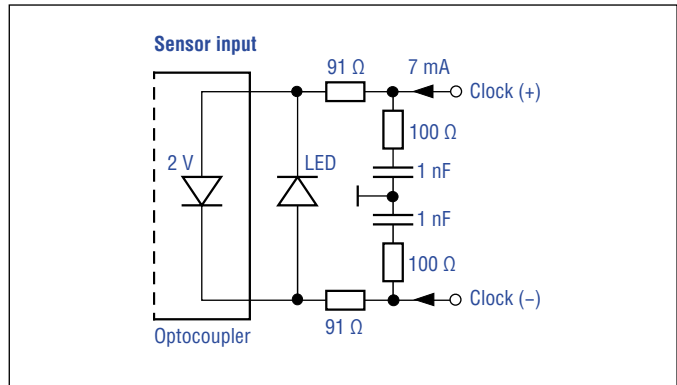


Fig. 24: Input wiring clock (+) / clock (-)

The absolute, parallel position data is continually updated by the sensor and converted by the shift-register into a serial bit stream (Fig. 25).

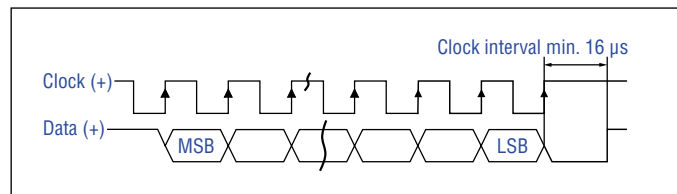


Fig. 25: Timing diagram

This chapter describes “programming and configuration” of the GB SSI sensor via cable connection. “Programming and configuration” via Bluetooth® connection are explained in document 551649.

#### MTS Sensors programming tools

Temposonics® position sensors can be adapted to modified measurement tasks very easily via the connecting leads – without opening the sensor. For this, the MTS Sensors programming kit is available (see page 17).

Programming kit, part no. 254 590

The PC programmer is a hardware converter between sensor and serial PC interface. It can be used for adjusting sensor parameters via computer and the MTS Sensors programming software. The software for reading and adjusting the sensors requires a Windows computer with a free USB port. You can adjust the following parameters:

- Data length and data format
- Resolution and measuring direction
- Synchronous / asynchronous measurement
- Measurement filter (moving average of 2, 4 or 8 measurements)

**Step 1: Connect PC programmer**

- Step 2: Install software  
 Step 3: Start program

- Connect the PC programmer with the sensor via the corresponding adapter cable.
- Connect the PC programmer to a USB port of the computer.
- Connect the power supply via connector.

The outer contact of the connector is 0 V (ground), the inner contact is 24 VDC.

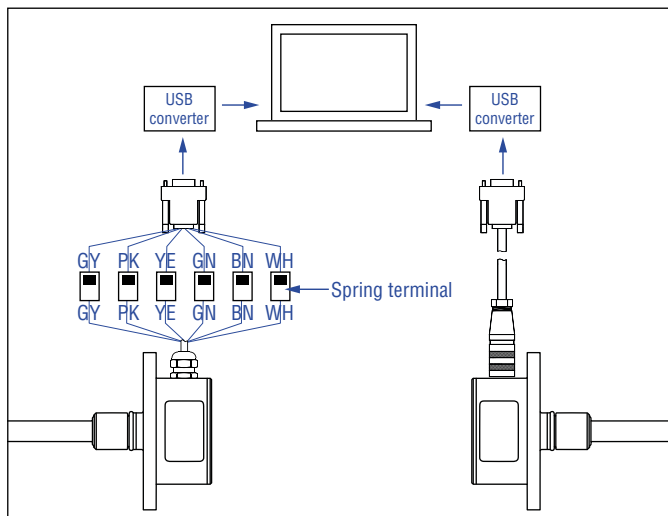


Fig. 26: Connect PC programmer (example of GB-S / GB-N)  
(for sensors with cable outlet on the left, for sensors with connector outlet on the right)

**NOTICE**

Never connect / disconnect the sensor when voltage is applied.

Step 1: Connect PC programmer

- Step 2: Install software**  
 Step 3: Start program

Download the current software version from [www.mtssensors.com](http://www.mtssensors.com). Install the software .NET Framework as administrator. Copy the program GBS\_SSI\_Serial\_Configurator.exe to your computer and start it.

System requirements:

- Microsoft Windows 7 operating system
- Microsoft .NET Framework from version 4.5.1 or higher

Step 1: Connect PC programmer

- Step 2: Install software  
 **Step 3: Start program**

After starting the program GBS SSI Serial Configurator the software connects to the last selected COM Port and the user interface opens (Fig. 29). If the COM Port is not available an error message appears (Fig. 27).

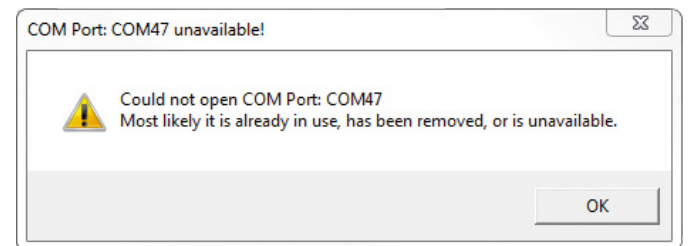


Fig. 27: Error message COM Port is not available

Select the right COM Port from the list (example see Fig. 28). The application will automatically restart and the user interface opens (Fig. 29).

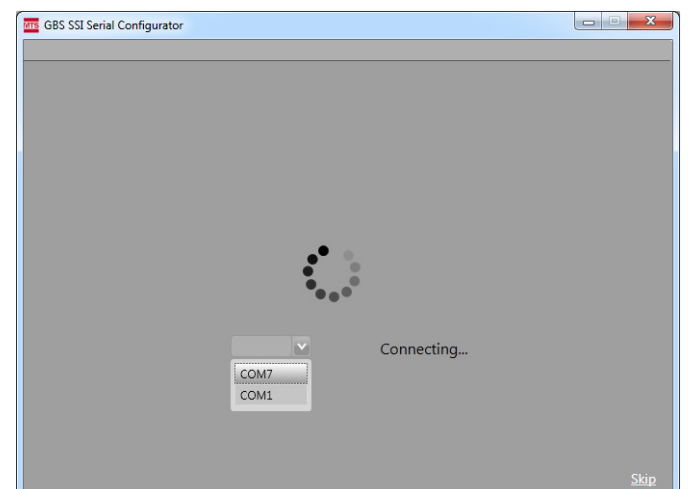


Fig. 28: Select COM Port

**GB SSI software user interface**

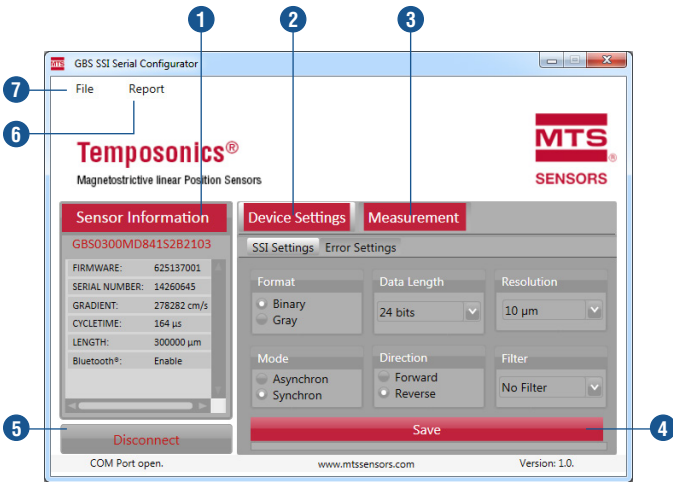


Fig. 29: User interface GB Serial Configurator

- 1 **Sensor Information** contains the invariable sensor parameters, which were read in automatically when the sensor is connected.
- 2 In the **Device Settings** menu the configurable parameters (SSI Settings, Error Settings) of the sensor can be set.
- 3 The **Measurement** menu shows the current position of the magnet.
- 4 The **Save** button saves any parameter changes you have made. After that the software restarts for the changes to take effect. The function **Measurement** 3 will then be available again.
- 5 The button **Disconnect** breaks the connection to the COM Port and closes the software.
- 6 By clicking **Report** a report document is generated to provide sensor information.
- 7 The **File** menu allows the following settings (see also Fig. 29):
  1. **Open**: Uploads device settings from a XML file to the sensor. Click the **Save** button 4 to complete the upload
  2. **Save as**: Saves the current device settings as XML file
  3. **Restore Factory Settings**: Restores and saves the sensor's factory settings
  4. **Close**: Closes the software application without saving any parameters

**Device Settings**

The following parameters can be modified:

SSI Settings (Fig. 29)

Format: **Binary / Gray**  
 Data Length: **24 bits / 25 bits**  
 Resolution: **5 µm / 10 µm / 20 µm / 50 µm / 100 µm**  
 Mode: **Asynchron:**

In asynchronous mode the sensor starts measuring and provides the position independent of the PLC.

**Synchron:**

In synchronous mode the output of the Temposonics® SSI sensor is matched to the data request cycle of the controller.

Direction:

**Forward:**

Ascending position values from sensor electronics housing to rod end

**Reverse:**

Ascending position values from rod end to sensor electronics housing

Filter:

**No Filter / Filter Avg. 2 / Filter Avg. 4 / Filter Avg. 8:**

Moving average of 2, 4 or 8 measurements for noise reduction

Error Settings (Fig. 30)

Error Counter: 1  
 Error Value: 0

The **Error Counter** and **Error Value** settings determine, how often an error has to occur (**Error Counter**) so that a certain **Error Value** is shown. The standard settings for the **Error Counter** is "1" and for the **Error Value** it is "0". So every error is shown with an error value of "0". Both parameters are changeable.

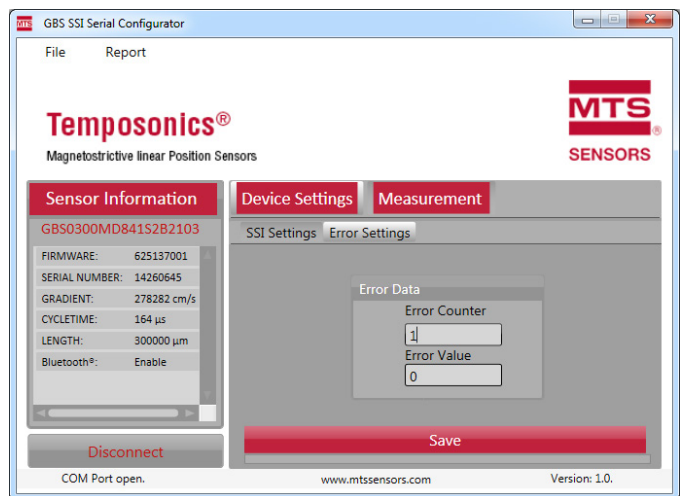


Fig. 30: Error Settings

## Measurement

After clicking the **Start Read** button the current position of the magnet is shown. Click the **Stop Read** button to stop the measurement (Fig. 31). The **View** button provides a graphic display of the magnet's position (Fig. 32).

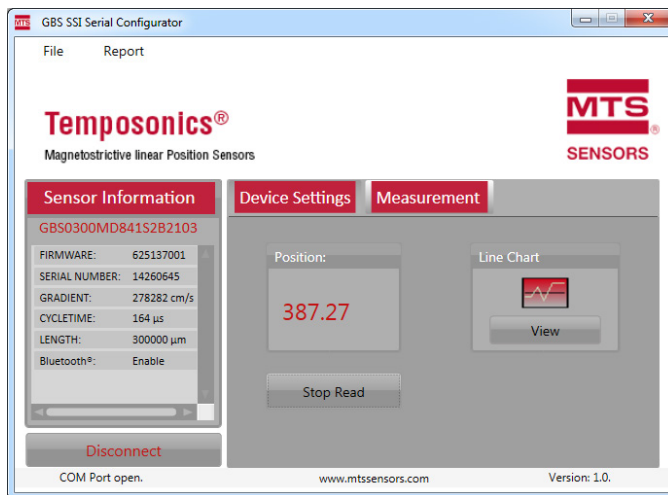


Fig. 31: Display of current magnet position

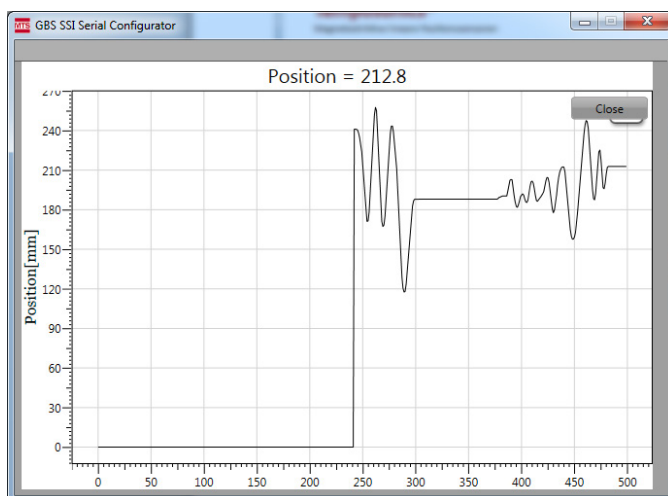


Fig. 32: Data display

## 6. Maintenance and troubleshooting

### 6.1 Error conditions, troubleshooting

Error condition	Status
Magnet not detected	<b>Default error value: 0</b> <b>Adapted error value:</b> 0...16777215 (see Fig. 30)
Wrong quantity of magnets	<b>Default error value: 0</b> <b>Adapted error value:</b> 0...16777215 (see Fig. 30)

### 6.2 Maintenance

The sensor is maintenance-free.

### 6.3 Repair

Repairs of the sensor may only be performed by MTS Sensors or an explicitly authorized body.

### 6.4 List of spare parts

No spare parts are available for this sensor.

### 6.5 Transport and storage

The conditions of transport and storage of the sensor match the operating conditions mentioned in this document.

## 7. Removal from service / dismantling

The product contains electronic components and must be disposed of in accordance with the local regulations.

## 8. Technical data

### 8.1 Technical data GB-J / GB-K / GB-N / GB-S

#### Output

Interface	SSI (Synchronous Serial Interface) – Differential signal in SSI standard
Data format	Binary, gray
Programming	Programming of set points using optional accessories
Measured value	Position

#### Measurement parameters

Resolution	5 µm minimum
Cycle time	Up to 3.7 kHz depending on stroke length
Linearity <sup>6</sup>	≤ ±0.02 % F.S. (minimum ±60 µm) typical
Repeatability	≤ ±0.005 % F.S. (minimum ±20 µm) typical

#### Operating conditions

Operating temperature	–40...+90 °C (–40...+194 °F), option: –40...+100 °C (–40...+212 °F)
Ingress protection	IP67 (if mating connectors are correctly fitted) IP68 (for cable outlet)
Shock test	100 g (single shock) IEC standard 60068-2-27
Vibration test	15 g / 10...2000 Hz IEC standard 60068-2-6 (excluding resonant frequencies)
EMC test	Electromagnetic emission according to EN 61000-6-4 Electromagnetic immunity according to EN 61000-6-2 The sensor meets the requirements of the EU directives and is marked with <b>CE</b>
Operating pressure	350 bar (5,076 psi), 700 bar (10,153 psi) peak (at 10 × 1 min), GB-J: 800 bar (11,603 psi)
Magnet movement velocity	Any

#### Design / Material

Sensor electronics housing <sup>7</sup> with flange	GB-J / GB-K / GB-S: Stainless steel 1.4305 (AISI 303) GB-N: Stainless steel 1.4404 (AISI 316L)
Sensor rod	GB-J: Stainless steel 1.4301 (AISI 304) GB-K / GB-S: Stainless steel 1.4306; 1.4307 (AISI 304L) GB-N: Stainless steel 1.4404 (AISI 316L)
Stroke length	25...3250 mm (1...128 in.)

#### Mechanical mounting

Mounting position	Any
Mounting instruction	Please consult the technical drawings on page 8

#### Electrical connection

Connection type	M12 A-coded male connector (8 pin); M16 male connector (7 pin); Cable outlet
Operating voltage	+24 VDC (–15 / +20 %)
Ripple	≤ 0.28 V <sub>pp</sub>
Current consumption	90 mA typical
Dielectric strength	500 VDC (DC ground to machine ground)
Polarity protection	Up to –30 VDC
Overvoltage protection	Up to 36 VDC

6/ With position magnet # 251 416-2

7/ For option **H** (–40...+100 °C / –40...+212 °F) an aluminum cover plate is used

## 8.2 Technical data GB-M / GB-T

### Output

Interface	SSI (Synchronous Serial Interface) – Differential signal in SSI standard
Data format	Binary, gray
Programming	Programming of set points using optional accessories
Measured value	Position

### Measurement parameters

Resolution	5 µm minimum
Cycle time	Up to 3.7 kHz depending on stroke length
Linearity <sup>8</sup>	≤ ±0.02 % F.S. (minimum ±60 µm) typical
Repeatability	≤ ±0.005 % F.S. (minimum ±20 µm) typical

### Operating conditions

Operating temperature	–40...+90 °C (–40...+194 °F), option: –40...+100 °C (–40...+212 °F)
Ingress protection	IP67 (if mating connectors are correctly fitted) IP68 (for cable outlet)
Shock test	100 g (single shock) IEC standard 60068-2-27
Vibration test	15 g / 10...2000 Hz IEC standard 60068-2-6 (excluding resonant frequencies)
EMC test	Electromagnetic emission according to EN 61000-6-4 Electromagnetic immunity according to EN 61000-6-2 The sensor meets the requirements of the EU directives and is marked with <b>CE</b>
Operating pressure	350 bar (5076 psi), 700 bar (10,153 psi) peak (at 10 × 1 min)
Magnet movement velocity	Any

### Design / Material

Sensor electronics housing <sup>9</sup> with flange	Stainless steel 1.4305 (AISI 303)
Sensor rod	Stainless steel 1.4306 / 1.4307 (AISI 304L)
Stroke length	25...3250 mm (1...128 in.)

### Mechanical mounting

Mounting position	Any
Mounting instruction	Please consult the technical drawings on page 10

### Electrical connection

Connection type	M12 A-coded male connector (8 pin); M16 male connector (7 pin); Cable outlet
Operating voltage	+24 VDC (–15 / +20 %)
Ripple	≤ 0.28 V <sub>pp</sub>
Current consumption	90 mA typical
Dielectric strength	500 VDC (DC ground to machine ground)
Polarity protection	Up to –30 VDC
Overvoltage protection	Up to 36 VDC

<sup>8/</sup> With position magnet # 251 416-2

<sup>9/</sup> For option **H** (–40...+100 °C / –40...+212 °F) an aluminum cover plate is used

## 9. Appendix

### Safety Declaration

Dear Customer,

If you return one or several sensors for checking or repair, we need you to sign a safety declaration. The purpose of this declaration is to ensure that the returned items do not contain residues of harmful substances and / or that people handling these items will not be in danger.

MTS Sensors order number: \_\_\_\_\_ Sensor type(s): \_\_\_\_\_

Serial number(s): \_\_\_\_\_ Sensor length(s): \_\_\_\_\_

**The sensor has been in contact with the following materials:**

Don't specify chemical formulas.  
Please include safety data sheets of the substances, if applicable.

In the event of suspected penetration of substances into the sensor, consult MTS Sensors to determine measures to be taken before shipment.

**Short description of malfunction:**

**Corporate information**

Company: \_\_\_\_\_

Address: \_\_\_\_\_

\_\_\_\_\_

**Contact partner**

Name: \_\_\_\_\_

Phone: \_\_\_\_\_

E-Mail: \_\_\_\_\_

We hereby certify that the measuring equipment has been cleaned and neutralized.  
Equipment handling is safe. Personnel exposure to health risks during transport and repair is excluded.

Stamp

Signature

Date

**GERMANY**  
**MTS Sensor Technologie GmbH & Co.KG**  
 Auf dem Schüffel 9  
 58513 Lüdenscheid, Germany  
 Tel. +49-23 51-95 87 0  
 Fax. +49-23 51-5 64 91  
 info.de@mtssensors.com  
 www.mtssensors.com

**USA**  
**MTS Systems Corporation Sensors Division**  
 3001 Sheldon Drive  
 Cary, N.C. 27513, USA  
 Tel. +1 919 677-0100  
 Fax +1 919 677-0200  
 info.us@mtssensors.com  
 www.mtssensors.com



**UNITED STATES** 3001 Sheldon Drive  
MTS Systems Corporation Cary, N.C. 27513  
Sensors Division Phone: +1 919 677-0100  
E-mail: info.us@mtssensors.com

---

**GERMANY** Auf dem Schüffel 9  
MTS Sensor Technologie 58513 Lüdenscheid  
GmbH & Co. KG Phone: +49 2351 9587-0  
E-mail: info.de@mtssensors.com

---

**ITALY** Phone: +39 030 988 3819  
Branch Office E-mail: info.it@mtssensors.com

---

**FRANCE** Phone: +33 1 58 4390-28  
Branch Office E-mail: info.fr@mtssensors.com

---

**GREAT BRITAIN** Phone: +44 79 44 15 03 00  
Branch Office E-mail: info.uk@mtssensors.com

---

**CHINA** Phone: +86 21 6485 5800  
Branch Office E-mail: info.cn@mtssensors.com

---

**JAPAN** Phone: +81 3 6416 1063  
Branch Office E-mail: info.jp@mtssensors.com

---

**Document part number:**  
551631 Revision C (EN) 07/2018



[www.mtssensors.com](http://www.mtssensors.com)