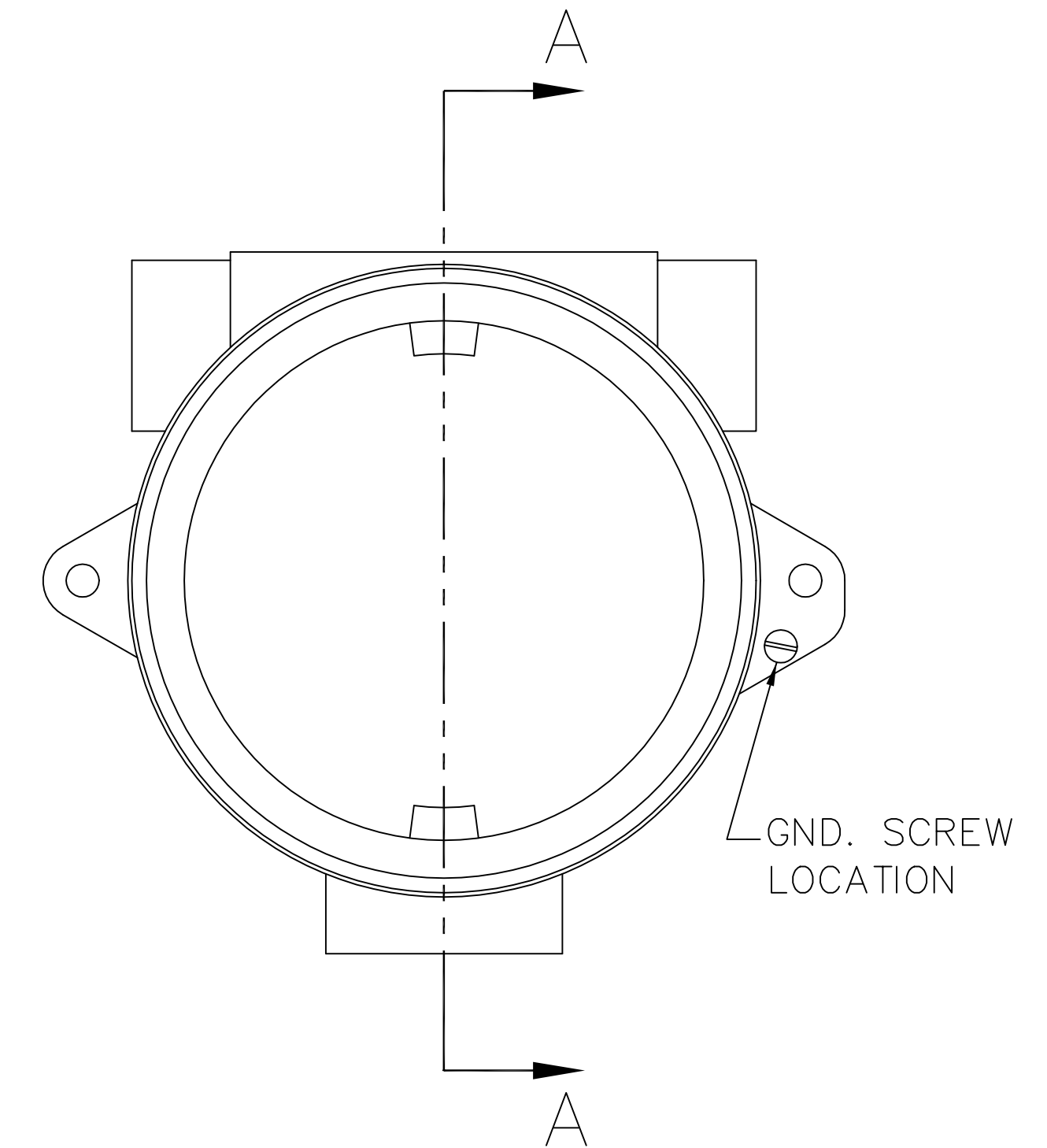
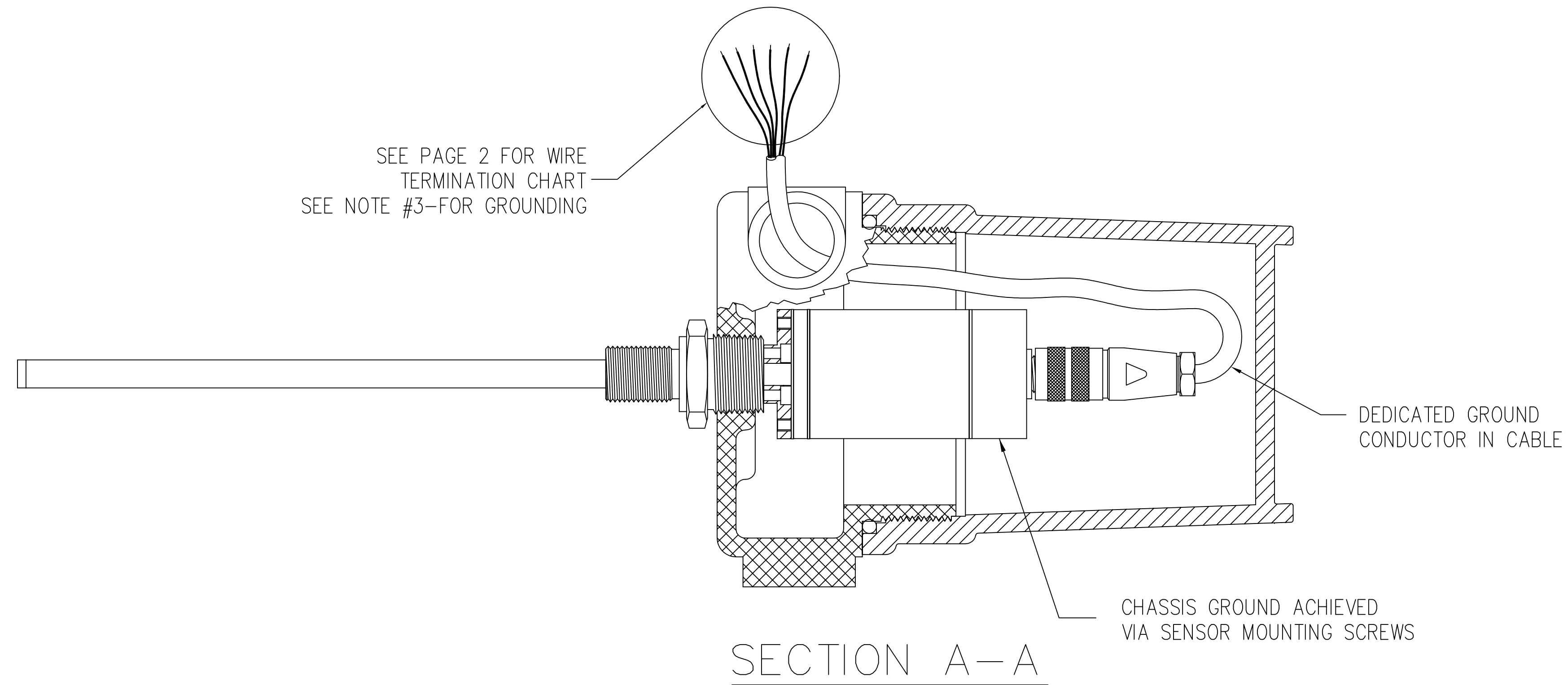


INSTALLATION DRAWING FOR RH AND LH EXPLOSION PROOF HOUSING




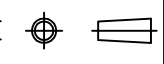
NOTES:

1. THIS DEVICE IS FACTORY MUTUAL APPROVED FOR:
CLASS I, DIVISION 1, GROUPS B, C AND D
CLASS II, DIVISION 1, GROUPS E, F AND G
CLASS III
NEMA TYPE 4, FOR OUTDOOR USE.
2. EQUIPMENT SHALL BE INSTALLED IN ACCORDANCE WITH THE NATIONAL ELECTRICAL CODE ARTICLES 501 AND 502 AND WITH ANY OTHER APPLICABLE STATE AND LOCAL REQUIREMENTS.
3. GAUGE ENCLOSURE SHALL BE GROUNDED TO EARTH GROUND THROUGH THE PROVIDED GROUND LUG ON THE ENCLOSURE OR BY THE BARE CONDUCTOR (DRAIN WIRE) IN THE CABLE PROVIDED.
4. NO REVISIONS SHALL BE MADE WITHOUT NOTIFICATION OF APPROVAL AGENCY(S).
5. USE ONLY NRTL LISTED DUST-TIGHT SEAL FOR CLASS II AND CLASS III HAZARDOUS LOCATIONS

* NO REVISIONS SHALL BE MADE WITHOUT NOTIFICATION TO APPROVAL AGENCIES

REV	ECO #	DESCRIPTION	BY	DATE
C	4615	REMOVE PROFIBUS FROM SHIT 2	KKC	3/6/03
B	4360	CHANGE NEMA TYPE 4X TO NEMA TYPE 4.	BTL	8-01
A		RELEASE DOCUMENT TO AGENCY	BTL	
PROPRIETARY DATA		UNLESS OTHERWISE SPECIFIED	TITLE T3-EX INSTALLATION DRAWING	
THE INFORMATION AND DESIGN(S) DISCLOSED HEREIN ARE THE PROPERTY OF MTS SYSTEMS CORPORATION AND MAY NOT BE USED, REPRODUCED OR DISCLOSED IN ANY FORM EXCEPT AS GRANTED IN WRITING BY MTS SYSTEMS CORPORATION. THIS RESTRICTION EXCLUDES INFORMATION THAT IS IN THE PUBLIC DOMAIN OR WAS LEGITIMATELY IN THE PRIOR POSSESSION OF THE RECIPIENT.		TOLERANCES	MTS SYSTEMS CORPORATION SENSORS DIVISION 3001 SHELDON DRIVE, CARY NC 27513	
0 DEC. PL.	1 DEC. PL.	ANGLES	SIZE	DWG NO. 650841
MM ±0.5	MM ±0.1	±1°	D	REV C
<ul style="list-style-type: none"> • THREAD DEPTHS ARE TO MIN. FULL THDS • DRILL DEPTHS ARE TO FULL DIA. • REMOVE BURRS AND SHARP EDGES • DO NOT SCALE PRINT • MACHINED SURFACE FINISH: 125 		THIRD ANGLE PROJ.	PRODUCT LINE RH & LH EX	ISO DRAWING
SCALE: 1:1		SHEET 1 OF 2		

MODEL	OUTPUT	Wire Color									
		GRAY	PINK	YELLOW	GREEN	RED OR BROWN	WHITE	BLUE	YELLOW/GREEN	BLACK	
RH	SSI	P___ INTEGRAL CABLE	(-) Data	(+) Data	(+) Clock	(-) Clock	+24 Vdc, customer Supplied	DC Ground	No Connection	—	—
	CANBUS	P___ INTEGRAL CABLE	CAN-L	CAN-H	No Connection	No Connection	Cust. Supplied Power (+Vdc)	DC Ground	—	—	—
	ANALOG	R___ INTEGRAL CABLE	Output #1 (Disp.)	Disp. Output Return for Gray Wire	Output #2 (Disp. or Velocity)	Displacement Output Return for Yellow Wire	+24 Vdc (+20%, -15%), Customer Supplied	DC Ground	—	—	—
			0 to 10 Vdc, 10 to 0 Vdc, 4 to 20 mA, 20 to 4 mA, 0 to 20 mA or 20 to 0 mA		0 to 10 Vdc, 10 to 0 Vdc, 4 to 20 mA, 20 to 4 mA, 0 to 20 mA or 20 to 0 mA						
DEVICENET	P___ INTEGRAL CABLE	CAN-L	CAN-H	—	—	+24 Vdc, customer Supplied	DC Ground	—	—	Shield	
LH	V OR C OUTPUT	R___ INTEGRAL CABLE	0 to 10 Vdc, 4 to 20 mA, 0 to 20 mA	Displacement Output Return for Gray Wire	10 to 0 Vdc, 20 to 4 mA, or 20 to 0 mA	Displacement Output Return for Yellow Wire	Cust. Supplied Power (+Vdc)	DC Ground	—	—	—
	PWM OR START/STOP	R___ INTEGRAL CABLE	{-} Gate for PWM, Stop for Start Stop	{+} Gate for PWM, Stop for Start Stop	{+} Interrogation for PWM Start for Start Stop	{-} Interrogation for PWM Start for Start Stop	Cust. Supplied Power (+Vdc)	—	—	—	—

PROPRIETARY DATA THE INFORMATION AND DESIGN(S) DISCLOSED HEREIN ARE THE PROPERTY OF MTS SYSTEMS CORPORATION AND MAY NOT BE USED, REPRODUCED OR DISCLOSED IN ANY FORM EXCEPT AS GRANTED IN WRITING BY MTS SYSTEMS CORPORATION. THIS RESTRICTION EXCLUDES INFORMATION THAT IS IN THE PUBLIC DOMAIN OR WAS LEGITIMATELY IN THE PRIOR POSSESSION OF THE RECIPIENT.	UNLESS OTHERWISE SPECIFIED			TITLE T3-EX INSTALLATION DRAWING		
	TOLERANCES			 MTS SYSTEMS CORPORATION SENSORS DIVISION 3001 SHELDON DRIVE, CARY NC, 27513		
	2 PLACES INCHES ±.01	3 PLACES INCHES ±.005	ANGLES ±1'			
	<ul style="list-style-type: none"> • THREAD DEPTHS ARE TO MIN. FULL THDS • DRILL DEPTHS ARE TO FULL DIA. • REMOVE BURRS AND SHARP EDGES • DO NOT SCALE PRINT • MACHINED SURFACE FINISH 125 			THIRD ANGLE PROJ. 	SIZE DWG NO. 650841	REV C
PRODUCT LINE RH & LH EX			SCALE: 1:1 SHEET 2 OF 2			