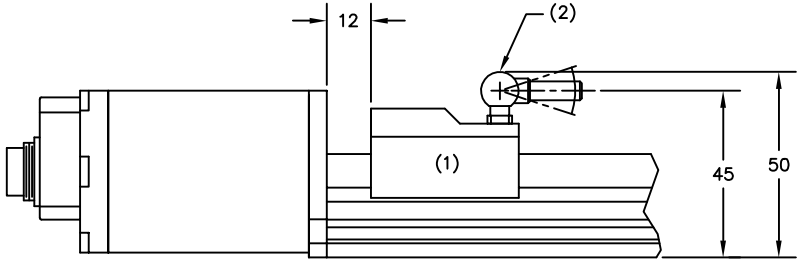
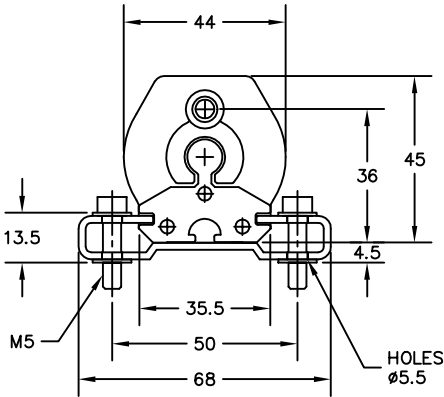
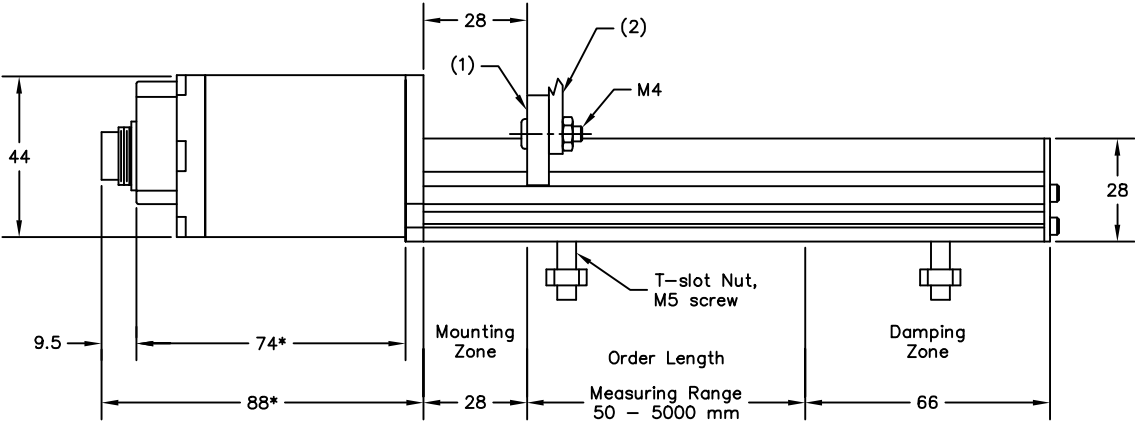


Type PB-V (1) Captive sliding magnet (2) Ball jointed arm, M5 thread

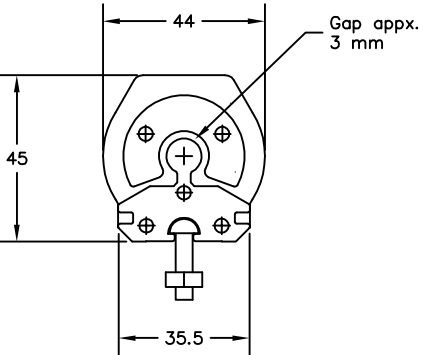


Type PB-S (1) Captive sliding magnet (2) Ball jointed arm, M5 thread

Notes:
 *) 10mm longer for sensors above 3500mm measuring range



Type PB-M (1) Floating magnet (2) Non-magnetic mounting plate and screws



A	12/02/98	3720
REV.	DATE	ECO #
TITLE		
TEMPO III PB		
DWG NO.	901016	SHEET 1 OF 1 REV A